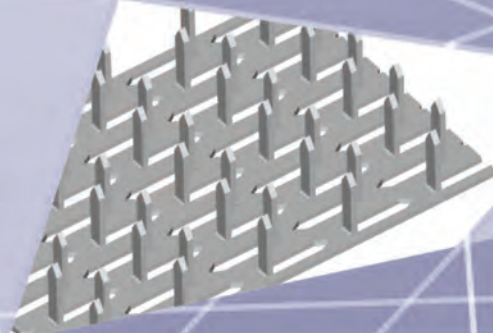
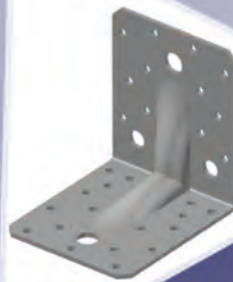




CATALOGUE

**Fittings for carpentry
constructions**



CZECH MANUFACTURER OF FITTINGS

About us



Bova, limited liability company

The company BOVA Březnice, limited liability company, was founded in 1992 like a manufacturing company, which is concerned with the production of the jointed units for the carpentry constructions. Their founders followed the long-term results in the development and production of the offered production program. The other manufactural objects with a total area of 4600m² were inducted into the service in 2009.

The manufacturing industries BOVA

Březnice is a modern company with the externalization for the development and production in the following industries:

Fittings for the wooden carpentry

Manufacturing technologies for the wooden carpentry

Anchors for the stone constructions

Gang nails fasteners and fittings for the railroad ties

Fittings for the large containers and europallets

Drop-on systems for the pharmacies, shops and warehouses

Other products

Development and production

The development and production of the company Bova is supported by the co-operation with Faculty of building ČVUT Prague (Civil Engineering of the Czech Technical University), software company FINE Praha and the enfranchisement is provided by TZÚS Prague. The company BOVA has own constructive department and the production of the catspaws and preparatives so it is possible to place so many new products according to the requirements of the consumers on the market. The production has the mechanical and hydraulic presses with the pressing force of 25 to 250 tons, the material separation, the welding machines and the chip cutting technology.



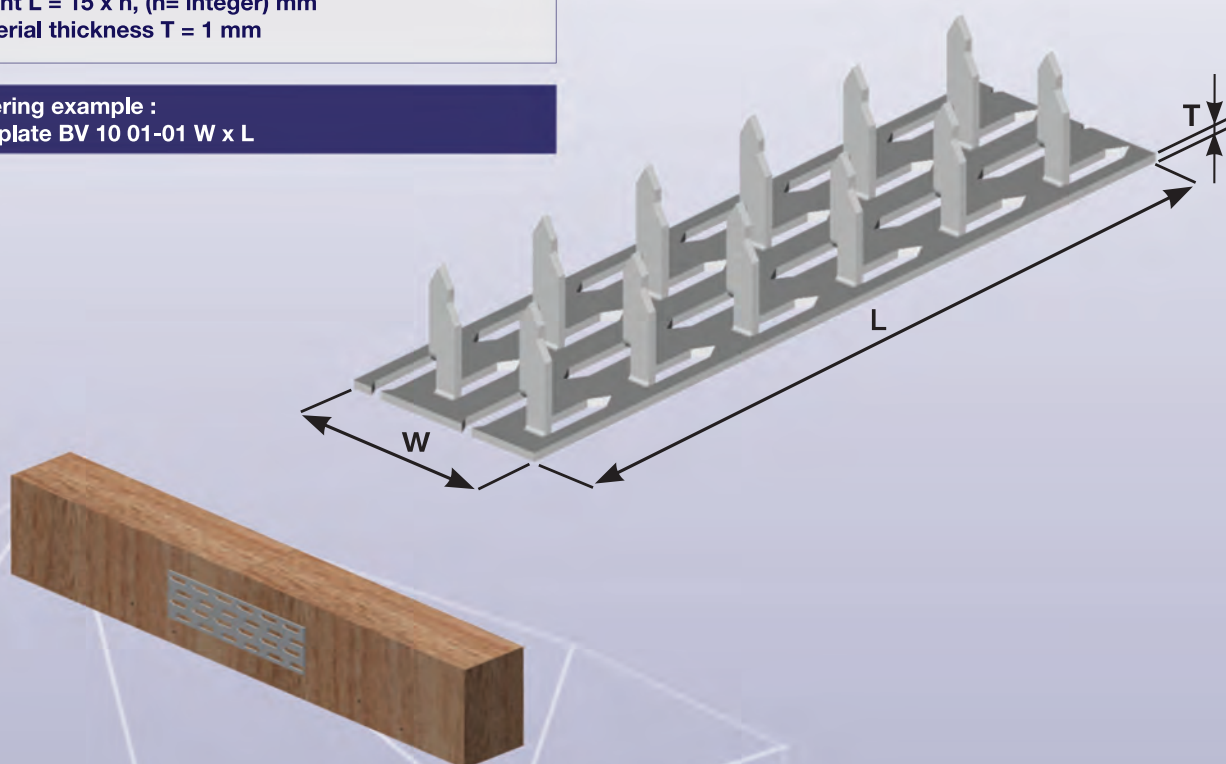
Content

	Nail - plates	2 - 6
	Connector plates	6 - 14
	Angle brackets	14 - 31
	Bracing straps	31 - 35
	Joist hangers	36 - 43
	Anchor straps	43 - 59
	Press-in Dowel	60 - 61
	Anchor column shoes	61 - 66
	Connecting materials	67 - 68
	Other fittings	69 - 71

01 - 01 NAIL PLATE BV 10

width $W = 24, 36, 54, 72, 108, 144, 180, 216$ mm
length $L = 15 \times n$, ($n = \text{integer}$) mm
material thickness $T = 1$ mm

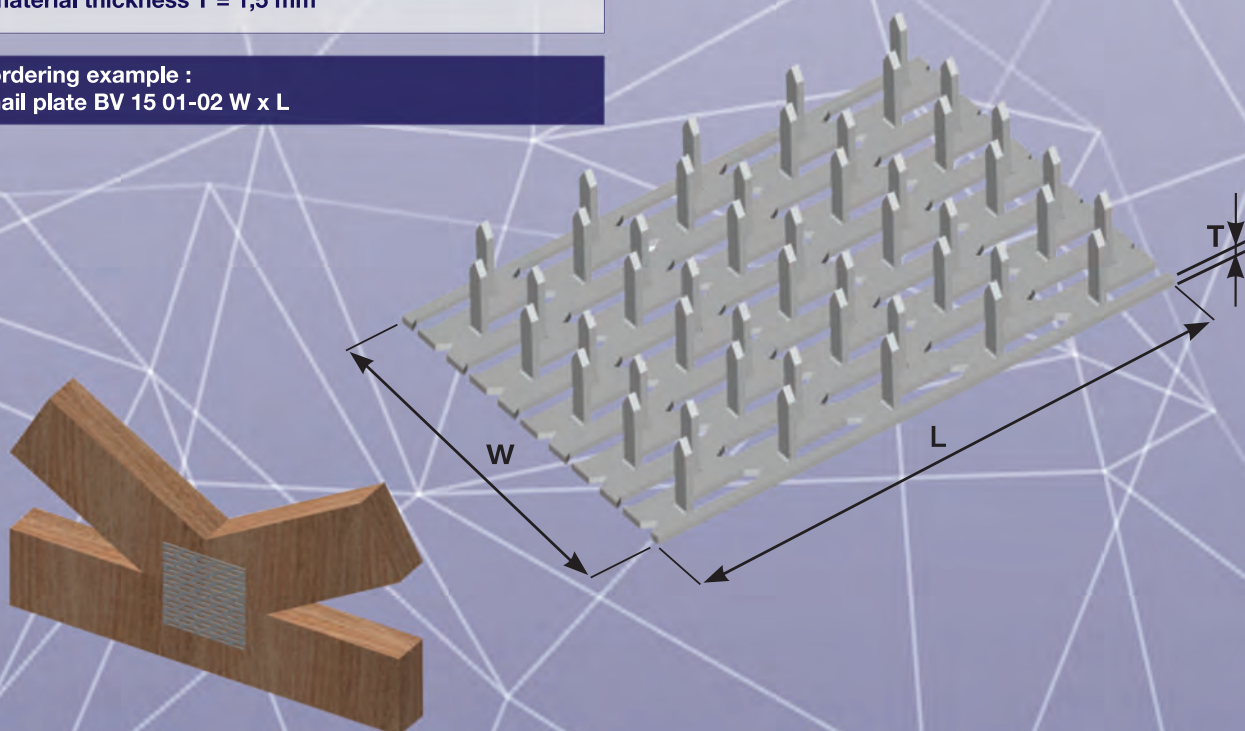
ordering example :
nail plate BV 10 01-01 $W \times L$



01 - 02 NAIL PLATE BV 15

width $W = 35, 56, 70, 84, 105, 126, 140, 175, 210, 280$ mm
length $L = 21 \times n$, ($n = \text{integer}$) mm
material thickness $T = 1,5$ mm

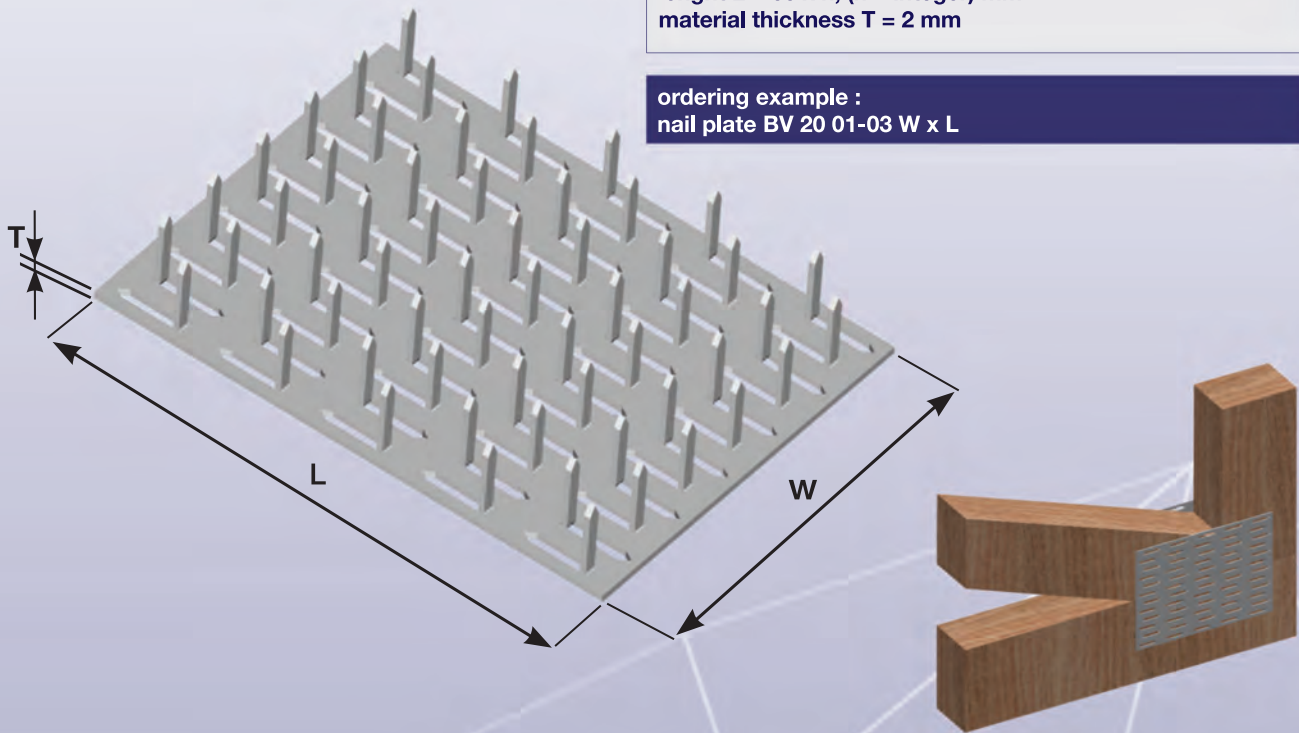
ordering example :
nail plate BV 15 01-02 $W \times L$



NAIL PLATE BV 20 01 - 03

width $W = 60, 70, 80, 100, 110, 120, 140, 160, 200, 240, 280$ mm
length $L = 33 \times n$, ($n = \text{integer}$) mm
material thickness $T = 2$ mm

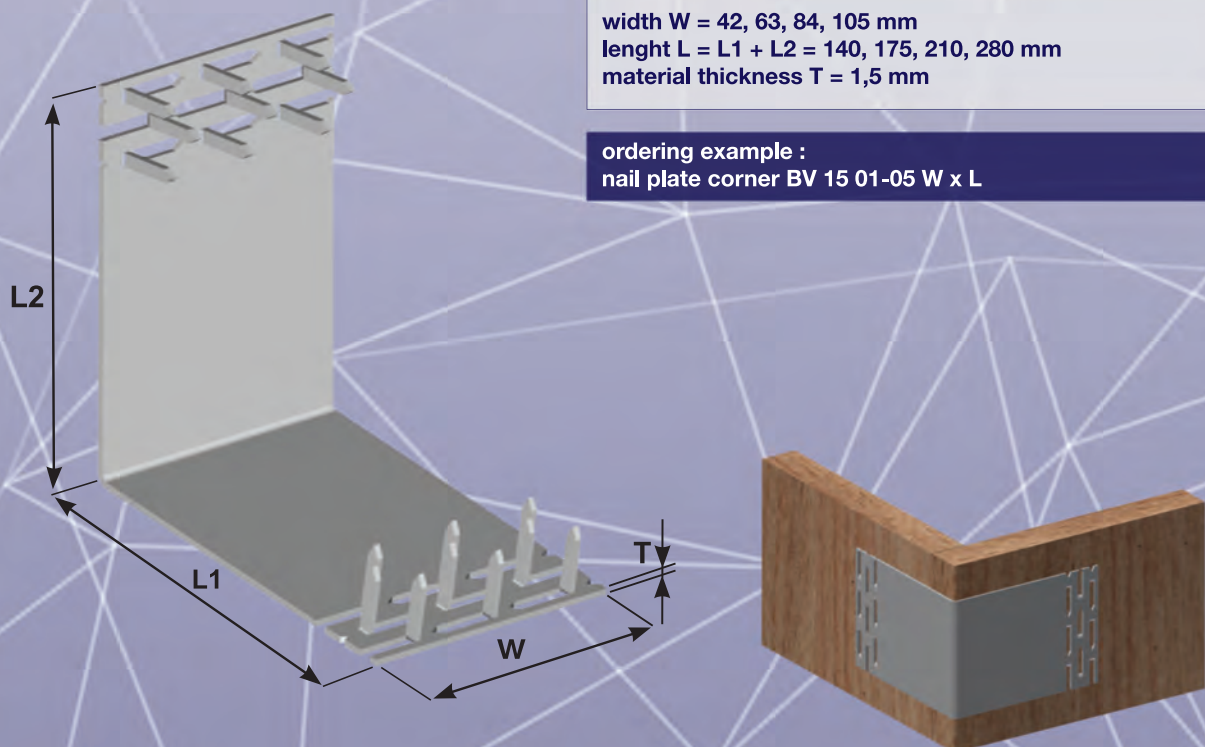
ordering example :
nail plate BV 20 01-03 $W \times L$



NAIL PLATE CORNER BV 15 01 - 05

width $W = 42, 63, 84, 105$ mm
length $L = L1 + L2 = 140, 175, 210, 280$ mm
material thickness $T = 1,5$ mm

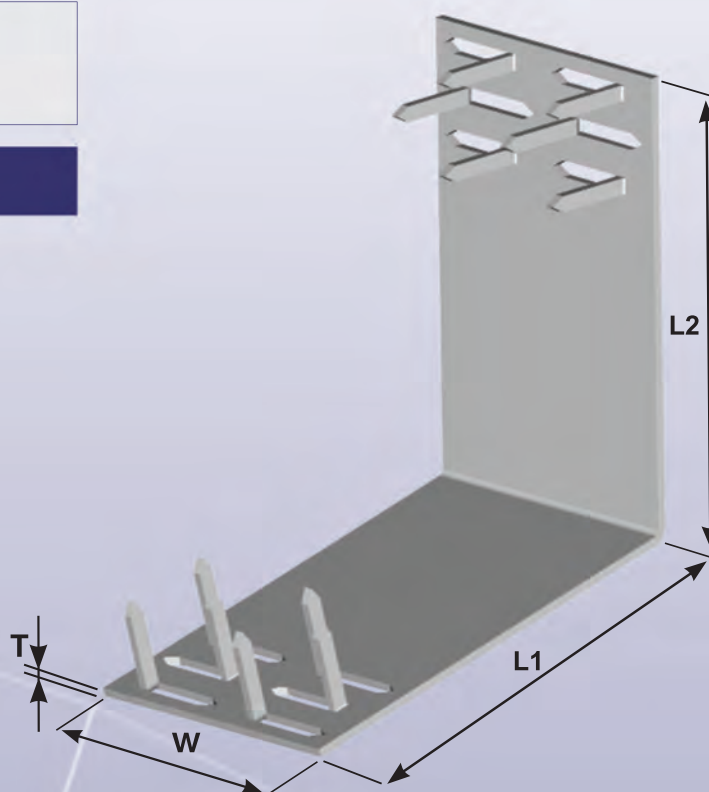
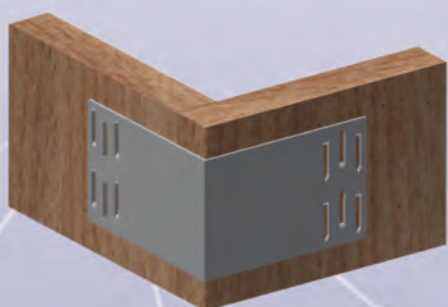
ordering example :
nail plate corner BV 15 01-05 $W \times L$



01 - 06 NAIL PLATE CORNER BV 20

width $W = 66, 99, 132$ mm
length $L = L1 + L2 = 160, 200, 240, 280$ mm
material thickness $T = 2$ mm

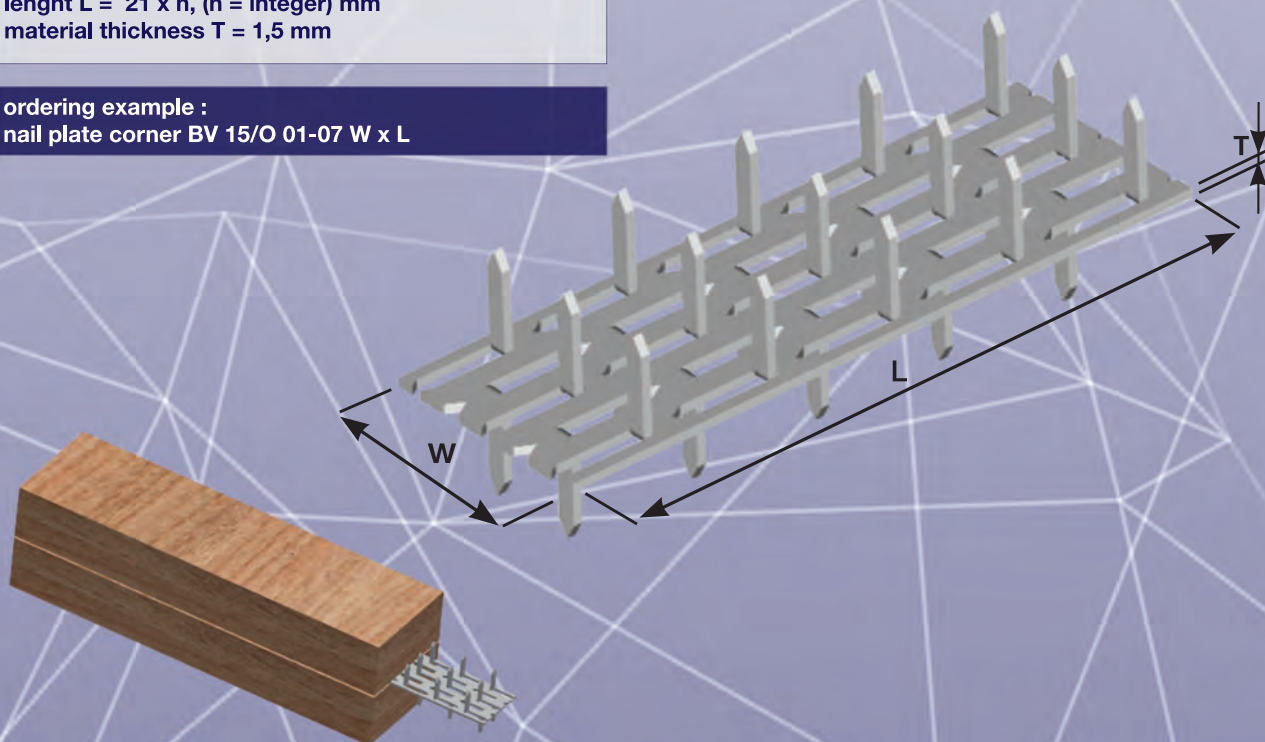
ordering example :
nail plate corner BV 20 01-06 $W \times L$



01 - 07 NAIL PLATE SYMMETRICAL BV 15/O

width $W = 35, 56, 70, 84$ mm
length $L = 21 \times n$, ($n = \text{integer}$) mm
material thickness $T = 1,5$ mm

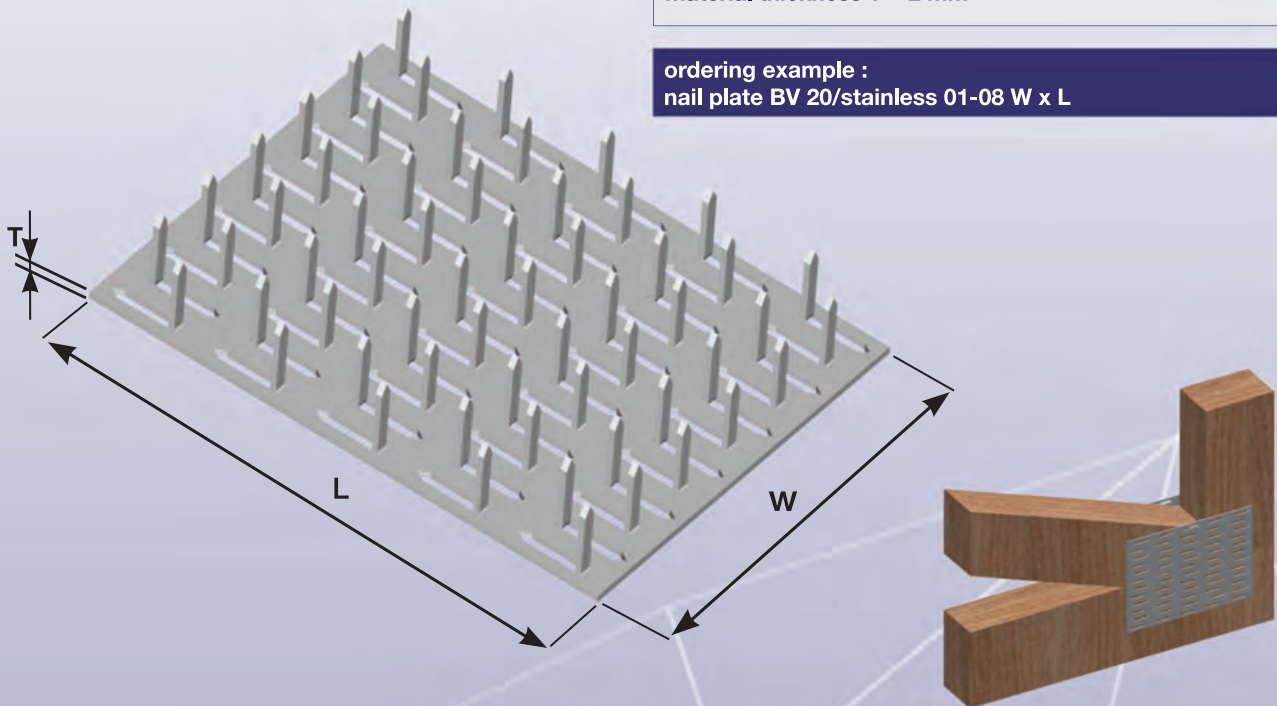
ordering example :
nail plate corner BV 15/O 01-07 $W \times L$



NAIL PLATE BV20/stainless 01 - 08

width $W = 60, 70, 80, 110, 120, 140, 160, 200, 240$ mm
length $L = 33 \times n$, ($n = \text{integer}$) mm
material thickness $T = 2$ mm

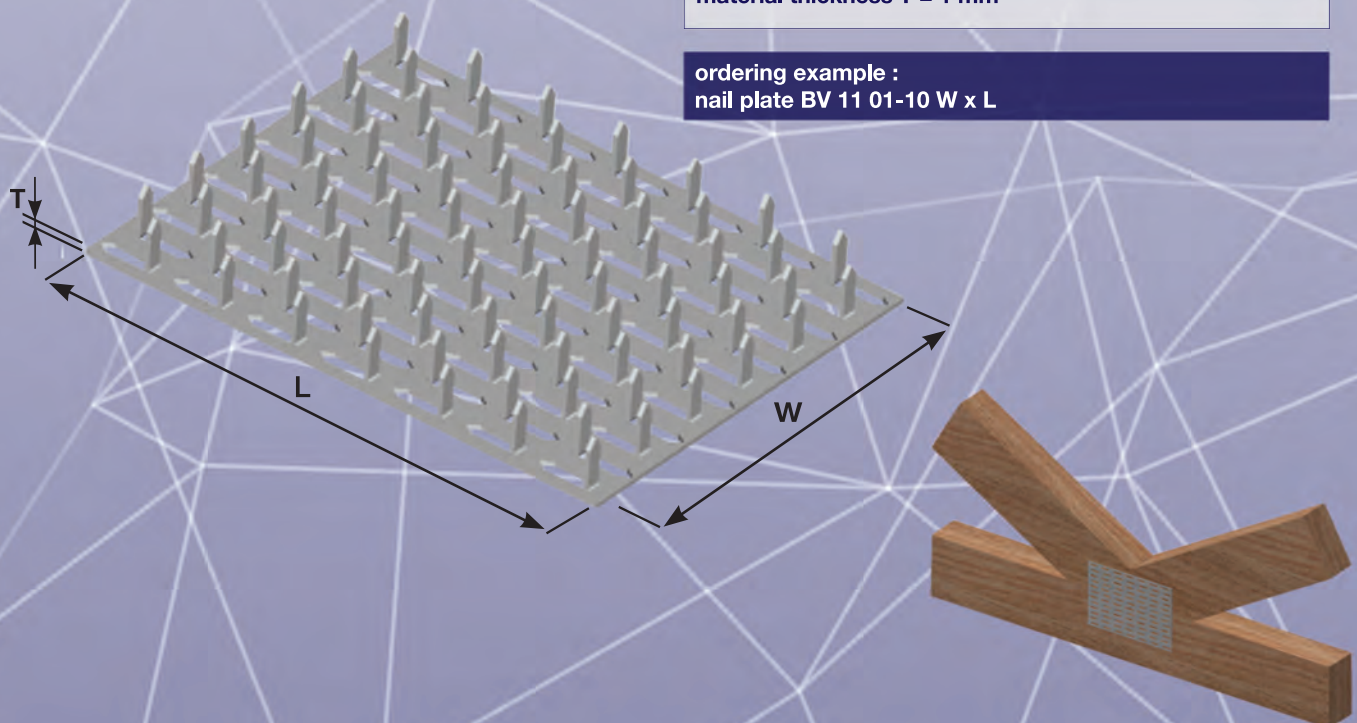
ordering example :
nail plate BV 20/stainless 01-08 $W \times L$



NAIL PLATE BV 11 01 - 10

width $W = 24, 36, 54, 72, 108, 144, 180, 216$ mm
length $L = 15 \times n$, ($n = \text{integer}$) mm
material thickness $T = 1$ mm

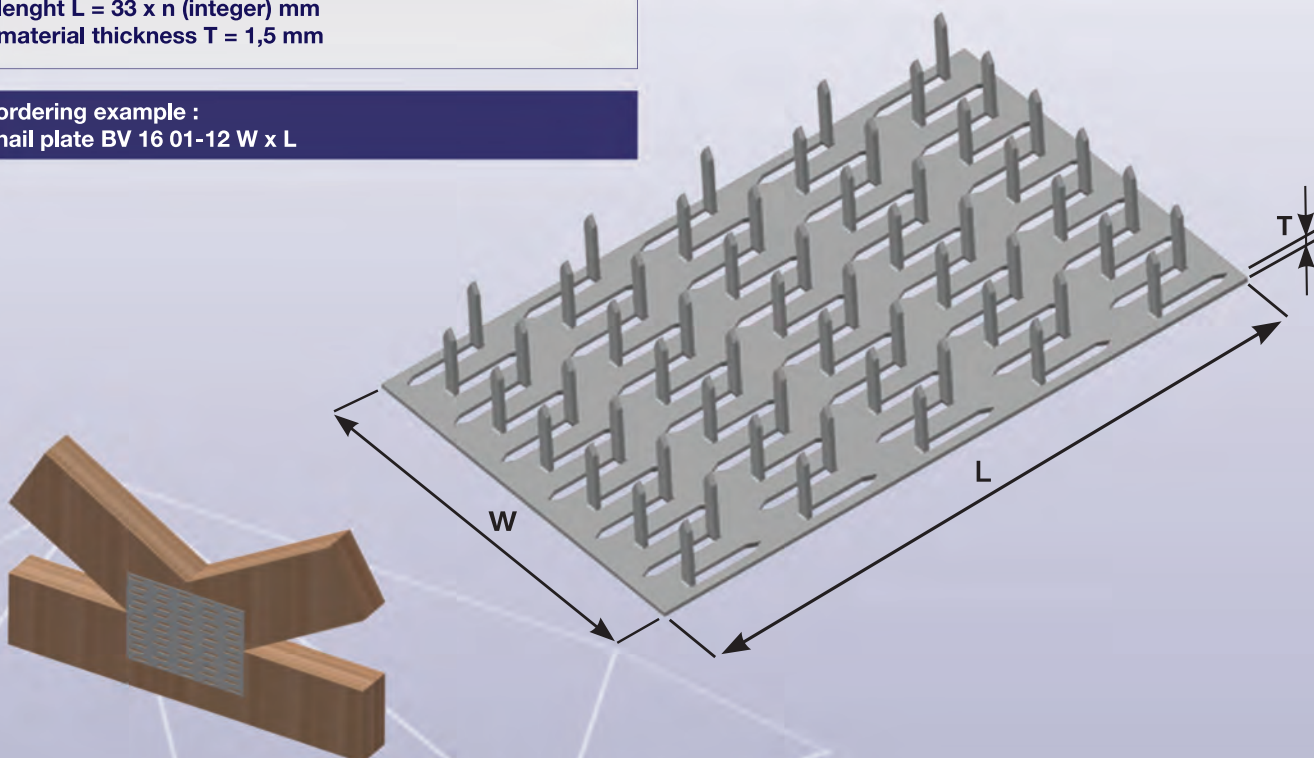
ordering example :
nail plate BV 11 01-10 $W \times L$



01 - 12 NAIL PLATE BV 16

width $W = 70, 80, 100, 110, 120, 140, 160, 200, 240, 280$ mm
length $L = 33 \times n$ (integer) mm
material thickness $T = 1,5$ mm

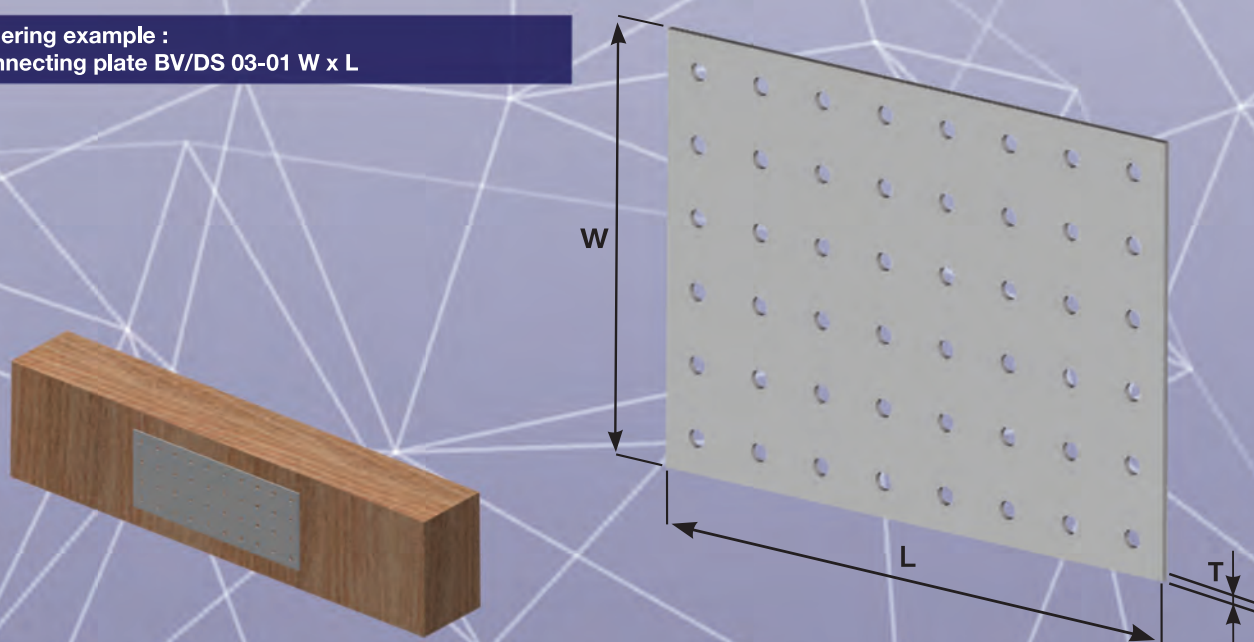
ordering example :
nail plate BV 16 01-12 $W \times L$



03 - 01 CONNECTING PLATE BV/DS

width $W = 40, 60, 80, 100, 120, 140, 160, 200, 240$ mm
length $L = n \times 40$ mm
material thickness $T = 2$ mm

ordering example :
connecting plate BV/DS 03-01 $W \times L$

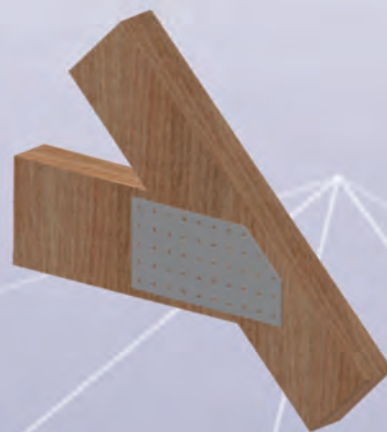
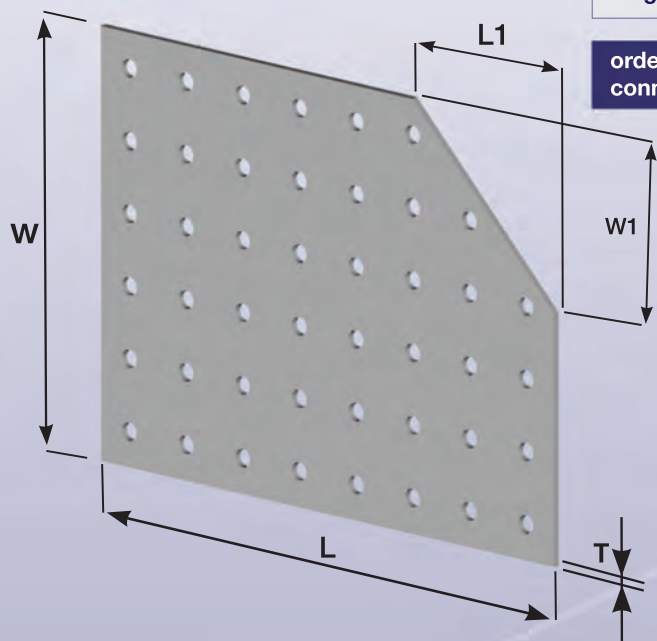


CONNECTING PLATE SKEWED 1x BV/DSZ

03 - 02

width $W = 80, 100, 120, 140, 160, 200, 240$ mm
width $W1 = \max. W$ mm
material thickness $T = 2$ mm
length $L = n \times 40$ mm
length $L1 = \max. L$ mm

ordering example :
connecting plate skewed 1x BV/DSZ 03-02 $W \times W1 \times T \times L \times L1$

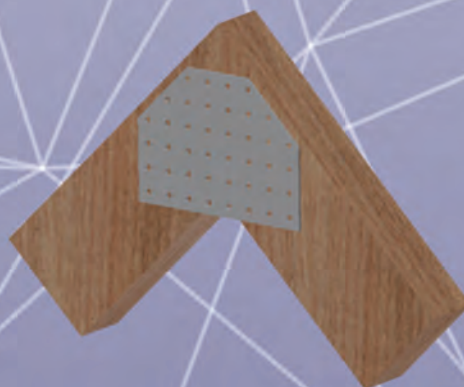
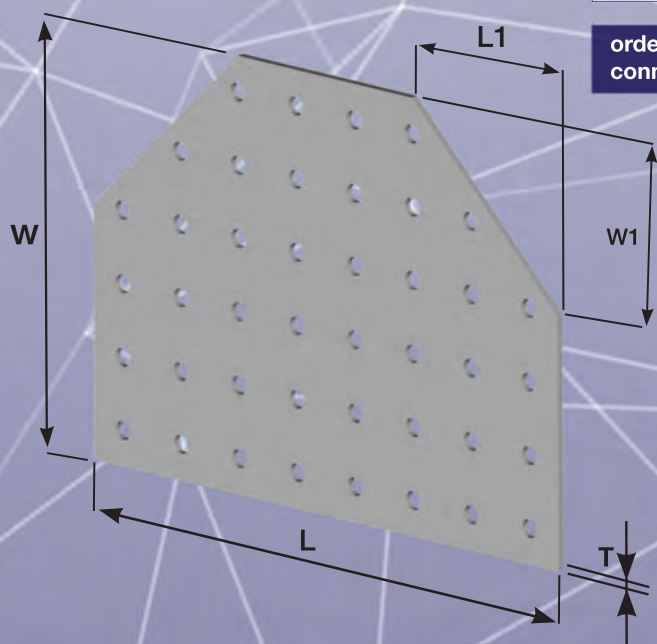


CONNECTING PLATE SKEWED 2x BV/DSZ

03 - 03

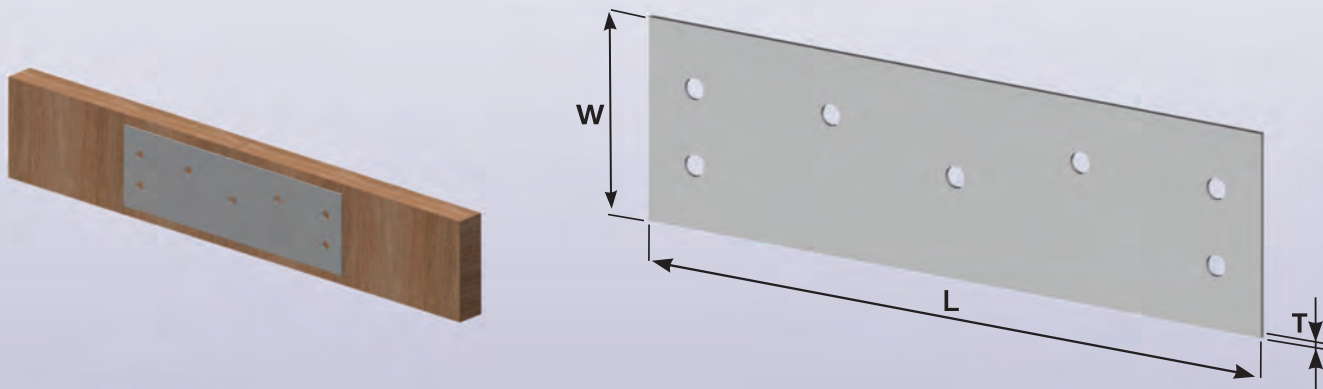
width $W = 80, 100, 120, 140, 160, 200, 240$ mm
width $W1 = \max. W$ mm
material thickness $T = 2$ mm
length $L = n \times 40$ mm
length $L1 = \max. L/2$ mm

ordering example :
connecting plate skewed 2x BV/DSZ 03-03 $W \times W1 \times T \times L \times L1$



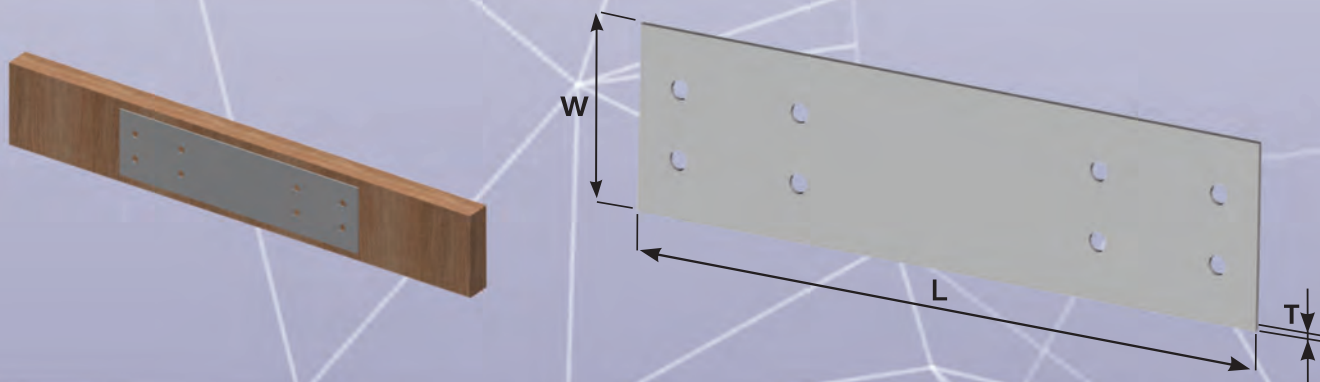
03 - 04 TRUSS CONNECTOR BV/SV

width $W = 160$ mm
length $L = 540$ mm
material thickness $T = 2$ mm



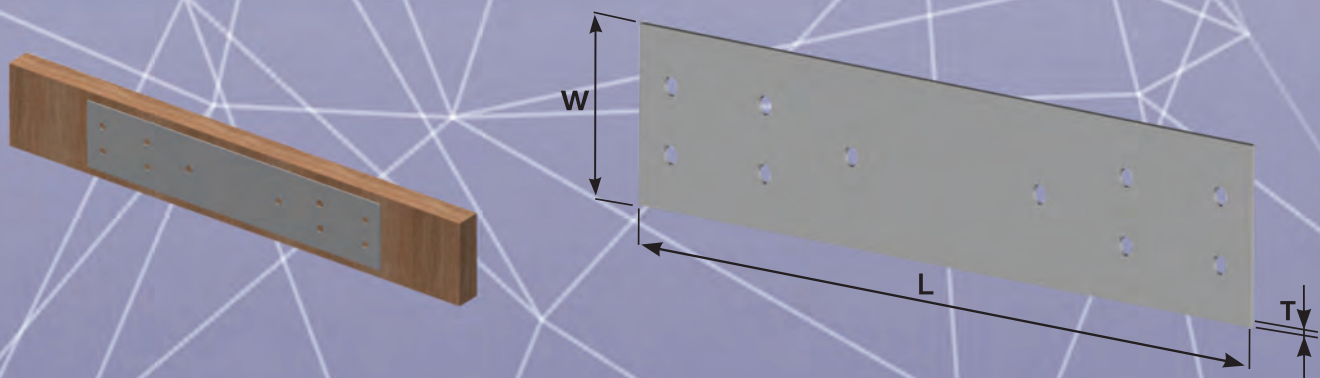
03 - 05 TRUSS CONNECTOR BV/SV

width $W = 160$ mm
length $L = 620$ mm
material thickness $T = 2$ mm

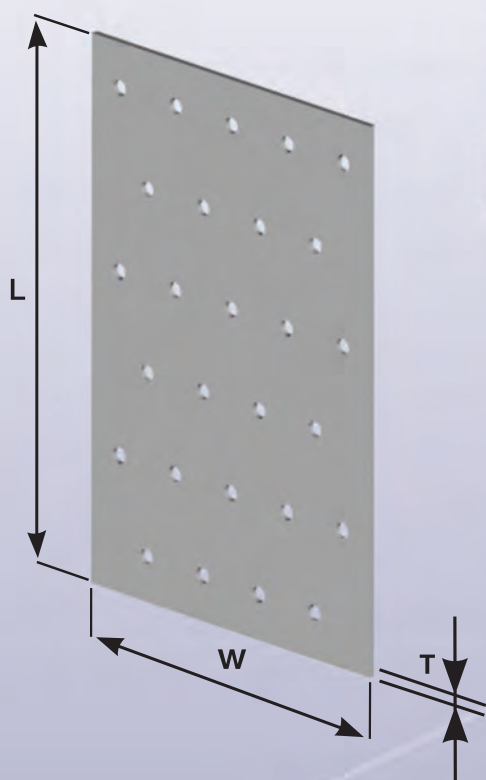


03 - 06 TRUSS CONNECTOR BV/SV

width $W = 160$ mm
length $L = 780$ mm
material thickness $T = 2$ mm

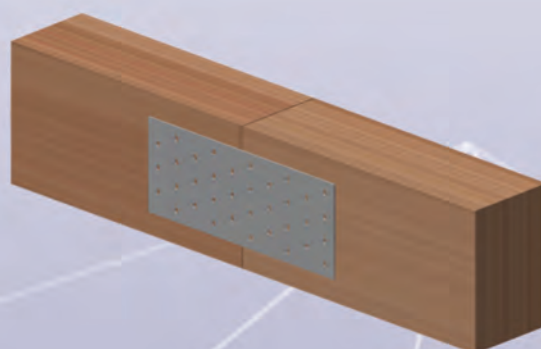


CONNECTING PLATE BV/DS 03 - 07

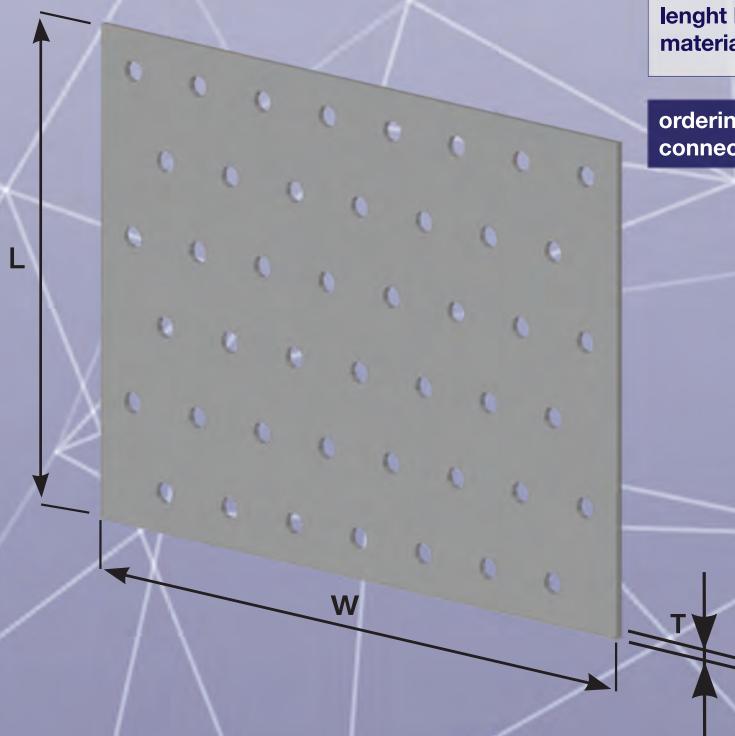


width $W = 80, 120, 140, 160, 200, 240$ mm
length $L = n \times 60$ mm
material thickness $T = 2$ mm

ordering example :
connecting plate BV/DS 03-07 $W \times L$

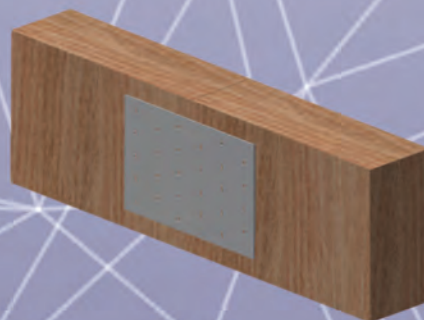


CONNECTING PLATE BV/DS 03 - 08



width $W = 40, 60, 80, 100, 120, 140, 160, 200, 240, 280$ mm
length $L = n \times 40$ mm
material thickness $T = 2$ mm

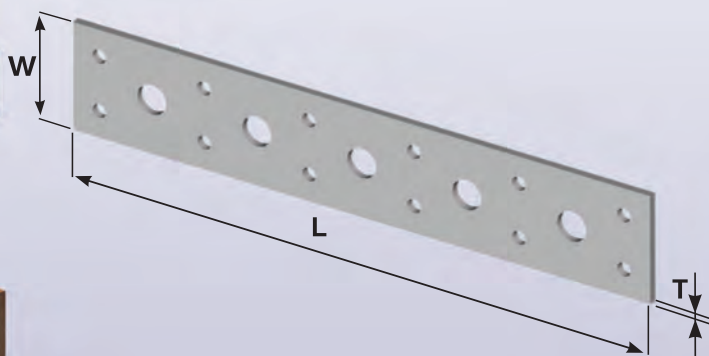
ordering example :
connecting plate BV/DS 03-08 $W \times L$



03 - 21 CONNECTING PLATE BV/DS

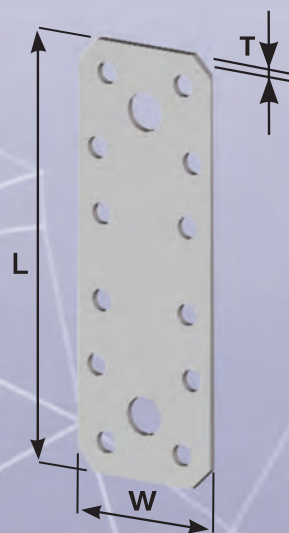
width $W = 40$ mm
length $L = 100, 140, 180, 220, 260$ mm
material thickness $T = 3$ mm

ordering example :
connecting plate BV / DS 03-21 / L



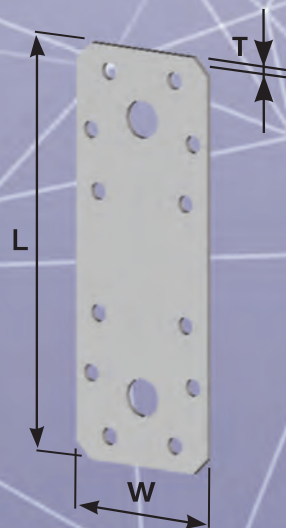
03 - 29 CONNECTOR 35 x 100 x 2

width $W = 35$ mm
length $L = 100$ mm
material thickness $T = 2$ mm

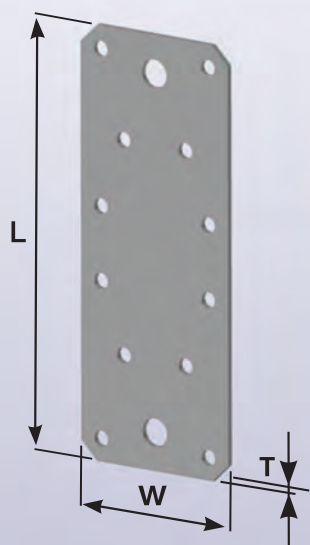


03 - 30 CONNECTOR 45 x 120 x 2

width $W = 45$ mm
length $L = 120$ mm
material thickness $T = 2$ mm



CONNECTOR 55 x 140 x 2 03 - 31



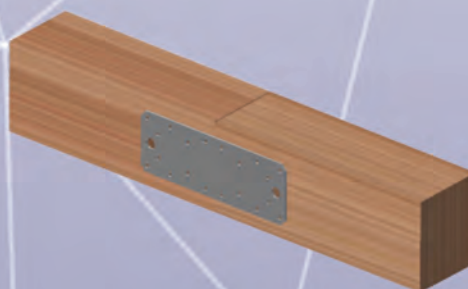
width $W = 55$ mm
length $L = 140$ mm
material thickness $T = 2$ mm



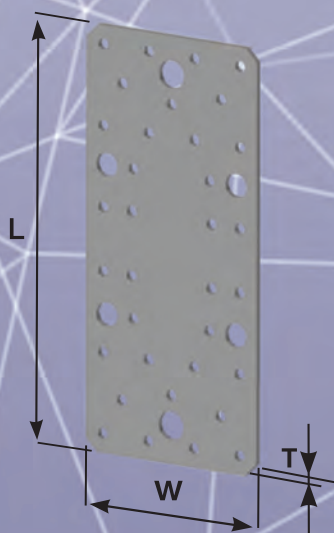
CONNECTOR 65 x 177 x 2,5 03 - 32



width $W = 65$ mm
length $L = 177$ mm
material thickness $T = 2,5$ mm



CONNECTOR 90 x 200 x 3 03 - 33



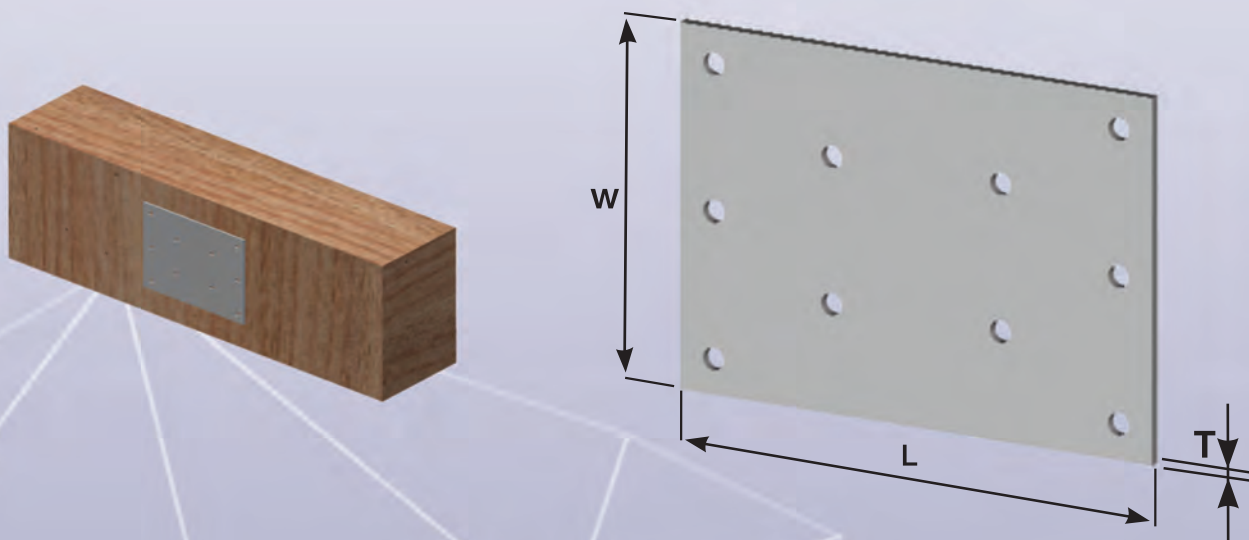
width $W = 90$ mm
length $L = 200$ mm
material thickness $T = 3$ mm



03 - 34 CONNECTOR BV/S 70

width $W = 30, 40, 50, 60, 70, 80, 90, 100, 110, 120, 130, 140$ mm
length $L = 70$ mm
material thickness $T = 1,5$ mm

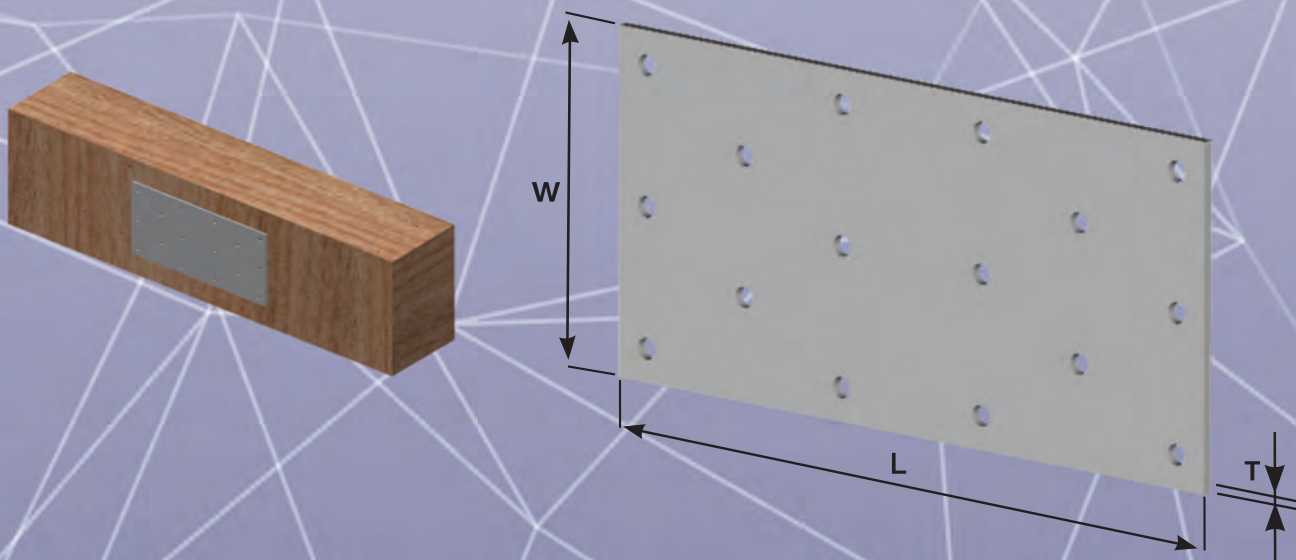
ordering example :
connector BV/S 70 03-34/W



03 - 35 CONNECTOR BV/S 105

width $W = 30, 40, 50, 60, 70, 80, 90, 100, 110, 120, 130, 140$ mm
length $L = 105$ mm
material thickness $T = 1,5$ mm

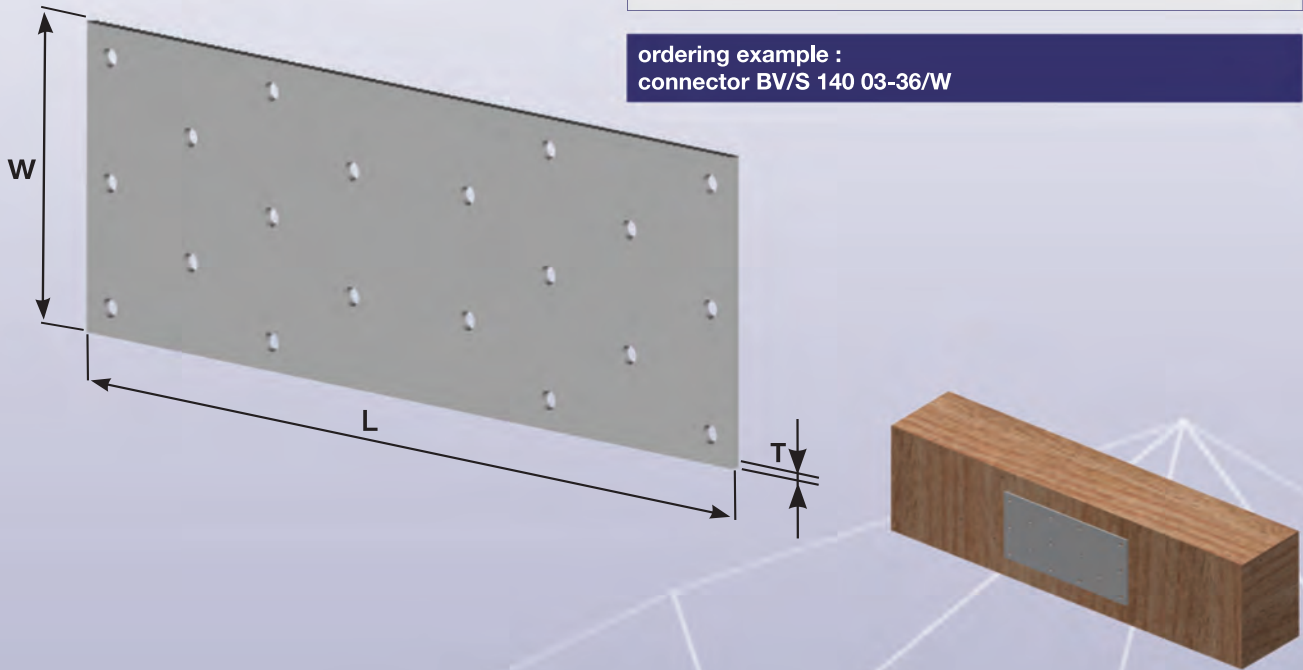
ordering example :
connector BV/S 105 03-35/W



CONNECTOR BV/S 140 03 - 36

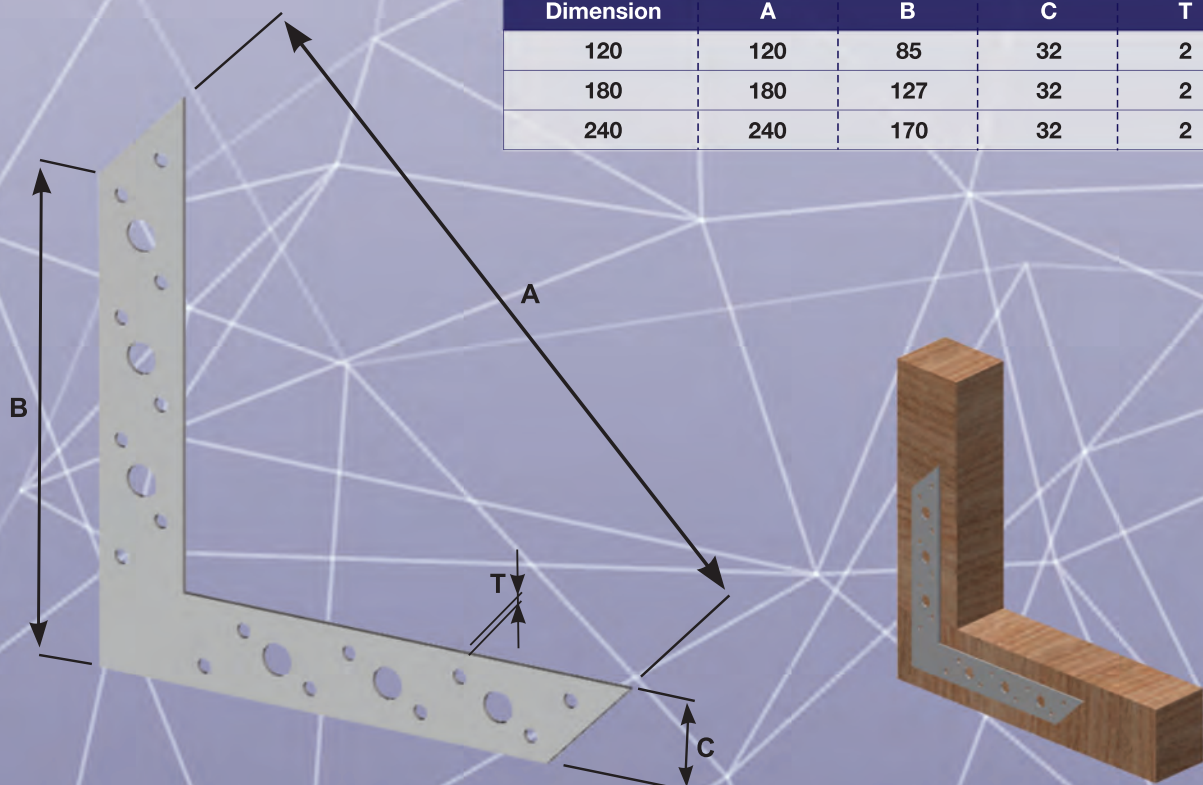
width $W = 30, 40, 50, 60, 70, 80, 90, 100, 110, 120, 130, 140$ mm
 length $L = 140$ mm
 material thickness $T = 1,5$ mm

ordering example :
 connector BV/S 140 03-36/W



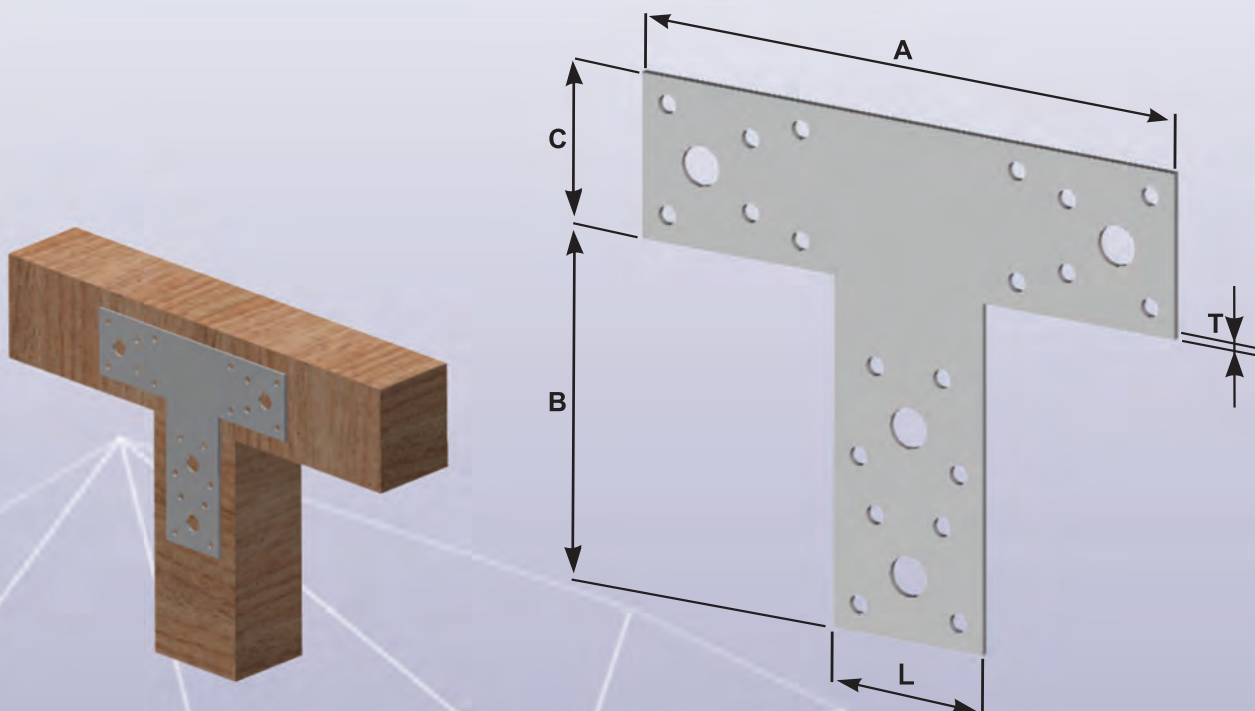
CAROB BV/R 03 - 40

Dimension	A	B	C	T
120	120	85	32	2
180	180	127	32	2
240	240	170	32	2



03 - 41 PIECEMEALER T BV/S

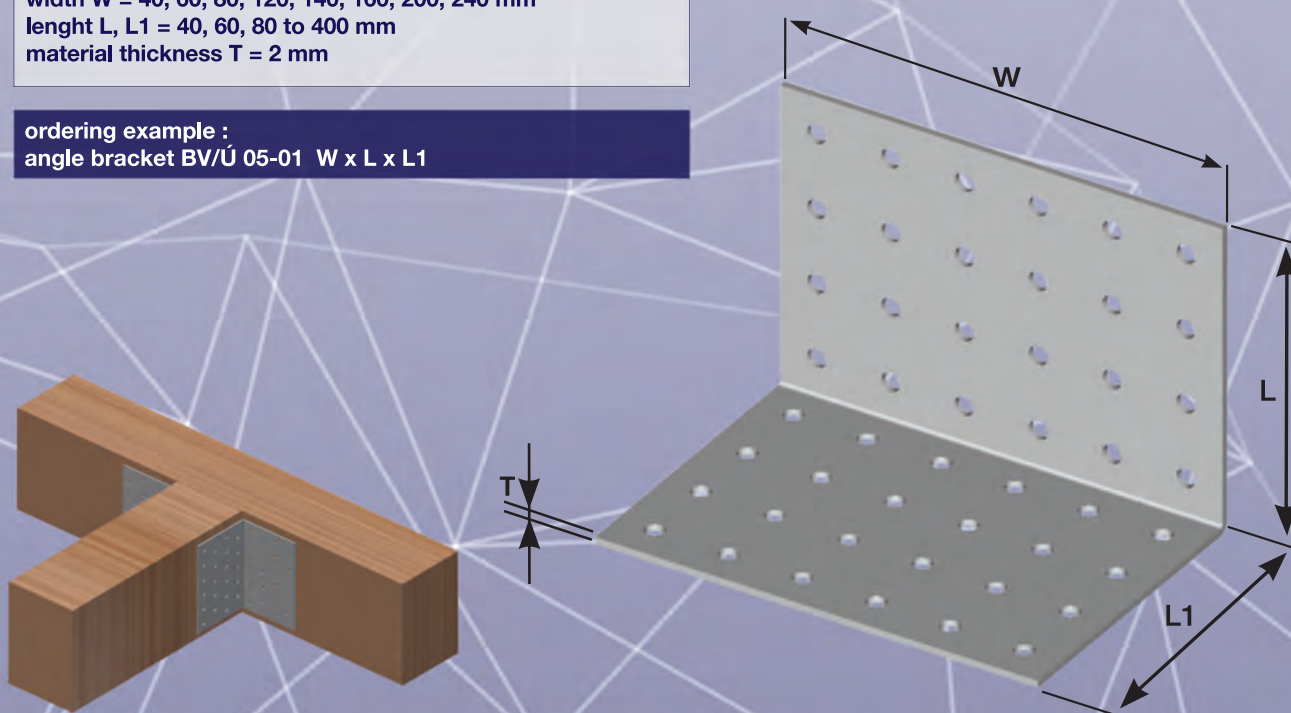
Dimension	A	B	C	D	T
	160	95	45	45	2



05 - 01 ANGLE BRACKET BV/Ú

width $W = 40, 60, 80, 120, 140, 160, 200, 240$ mm
 length $L, L1 = 40, 60, 80$ to 400 mm
 material thickness $T = 2$ mm

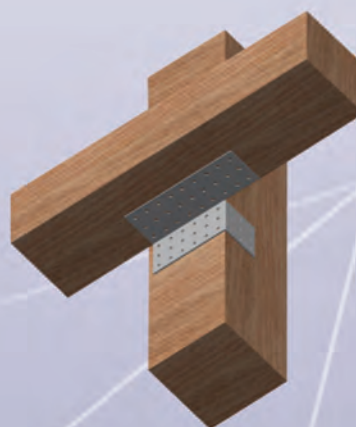
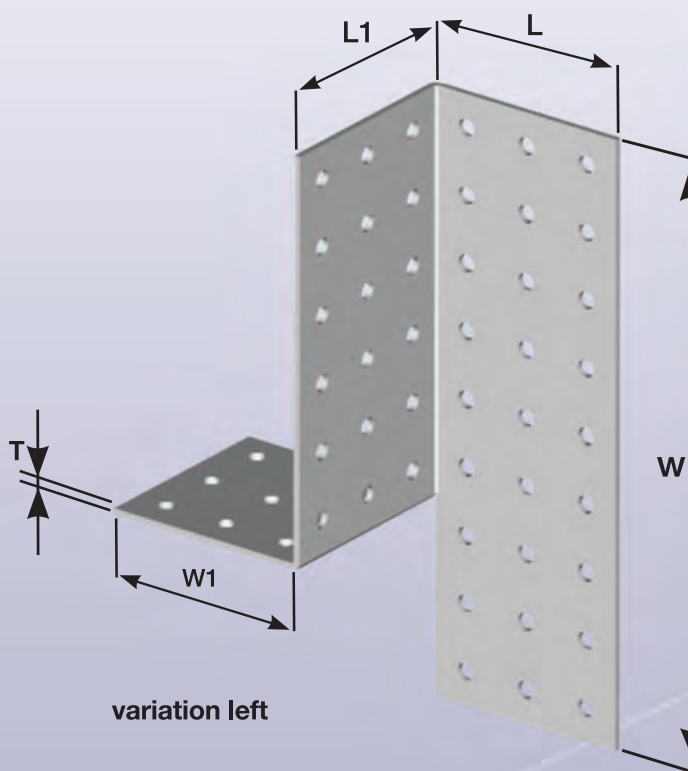
ordering example :
 angle bracket BV/Ú 05-01 $W \times L \times L1$



ANGLE BRACKET BV/ÚK 05 - 02

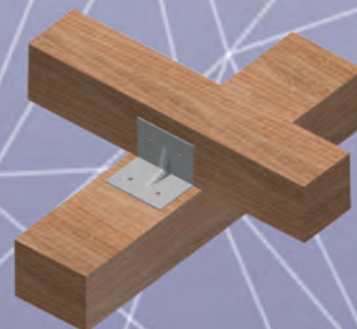
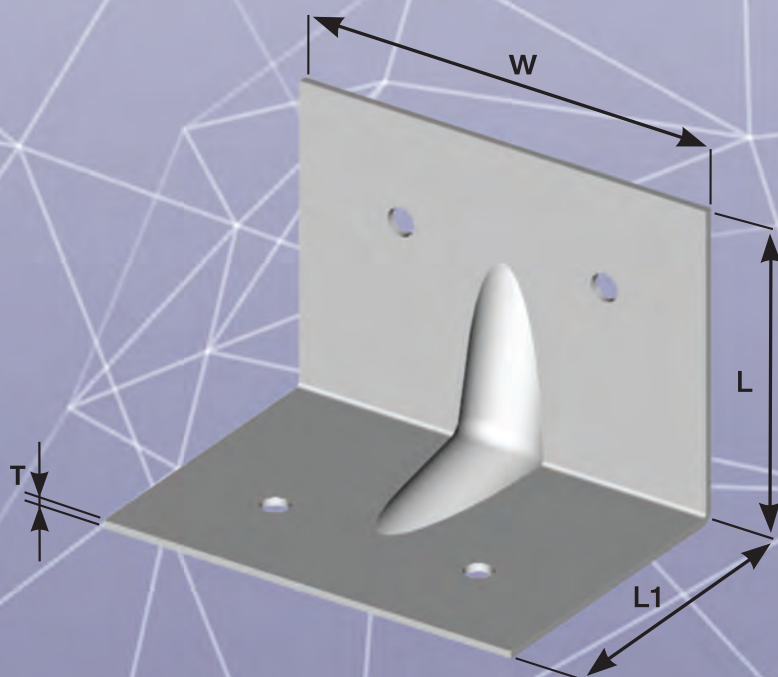
width W= 80, 120, 140, 160, 200, 240 mm
 length L, L1 = 40, 60, 80 to 400 mm
 material thickness T = 2 mm
 variation: left, right

ordering example :
 angle bracket BV/ÚK 05-02 W x W1 x T x L x L1



ANGLE BRACKET BV/Ú 100 x 70 x 70 05 - 05

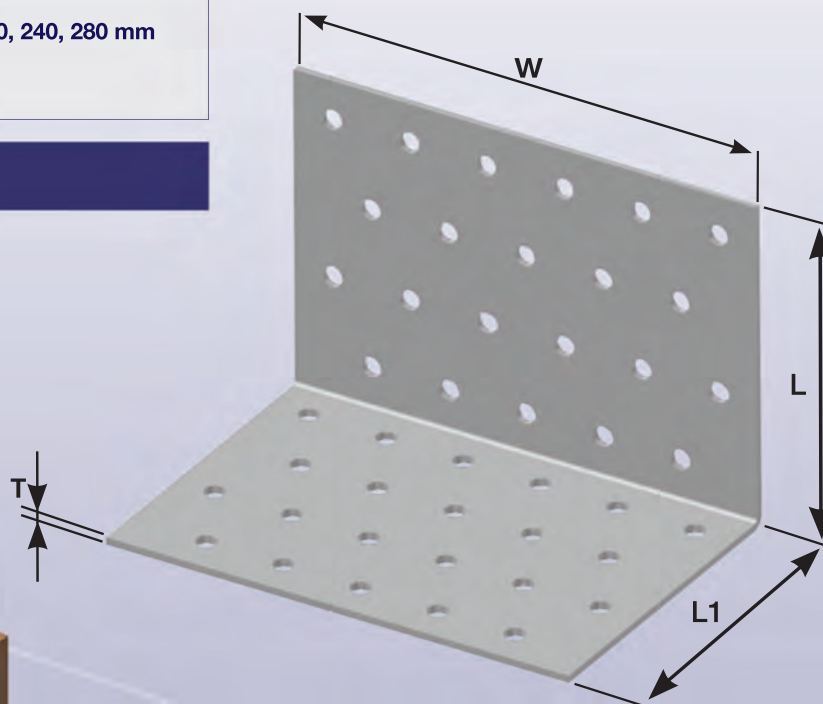
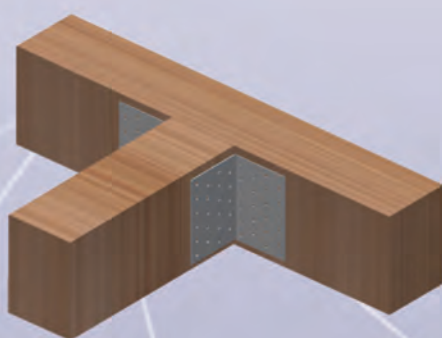
Dimension	W	L1	L	T
	100	70	70	2



05 - 08 ANGLE BRACKET BV/Ú

width $W = 40, 60, 80, 100, 120, 140, 160, 200, 240, 280$ mm
length $L, L1 = 40, 60, 80$ to 400 mm
material thickness $T = 2$ mm

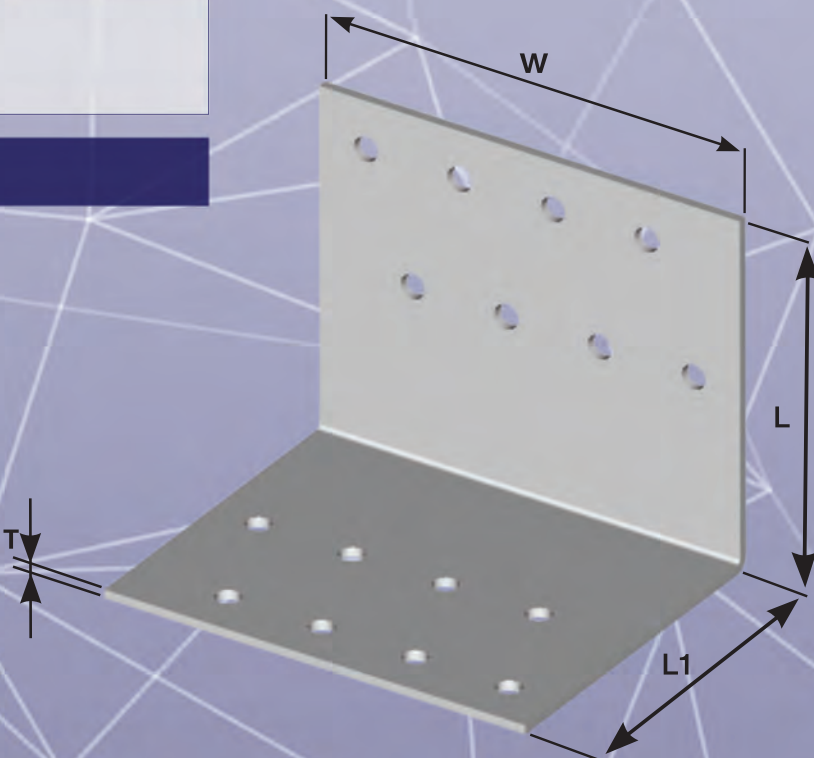
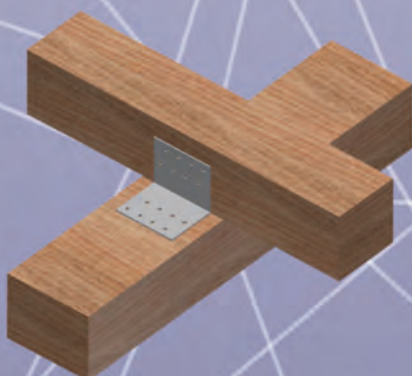
ordering example :
angle bracket BV/Ú 05-08 $W \times L \times L1$



05 - 11 ANGLE BRACKET BV/Ú

width $W = 50, 60, 70, 80, 90$ mm
length $L, L1 = 70$ mm
material thickness $T = 2$ mm

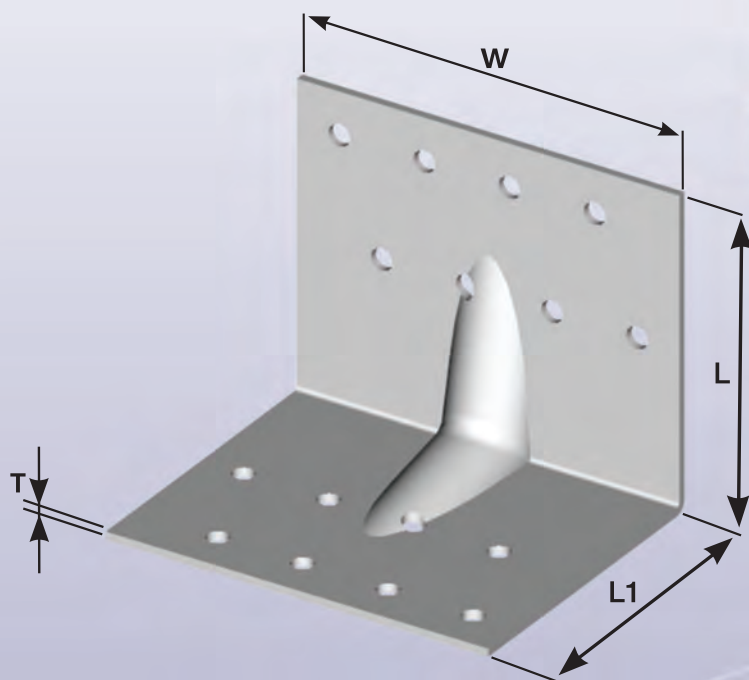
ordering example :
angle bracket BV/Ú 05-11/ W



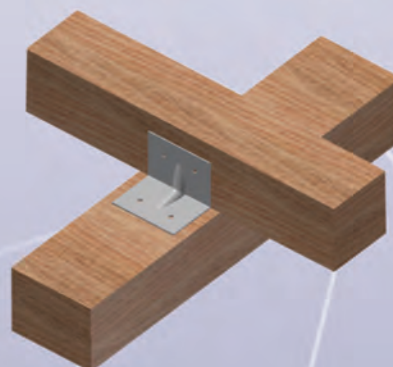
ANGLE BRACKET* BV/Ú 05 - 12

width $W = 50, 60, 70, 80, 90$ mm
length $L, L1 = 70$ mm
material thickness $T = 2$ mm

ordering example :
angle bracket with the reinforcement BV/Ú 05-12/W



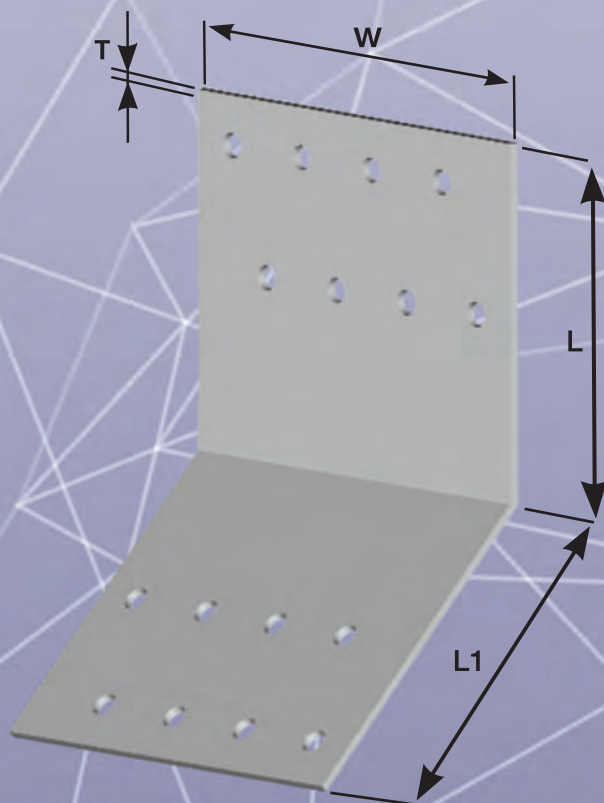
*with the reinforcement



ANGLE BRACKET BV/Ú 05 - 16

width $W = 50, 60, 70, 80, 90$ mm
length $L, L1 = 70$ mm
material thickness $T = 2$ mm

ordering example :
angle bracket BV/Ú 05-16/W



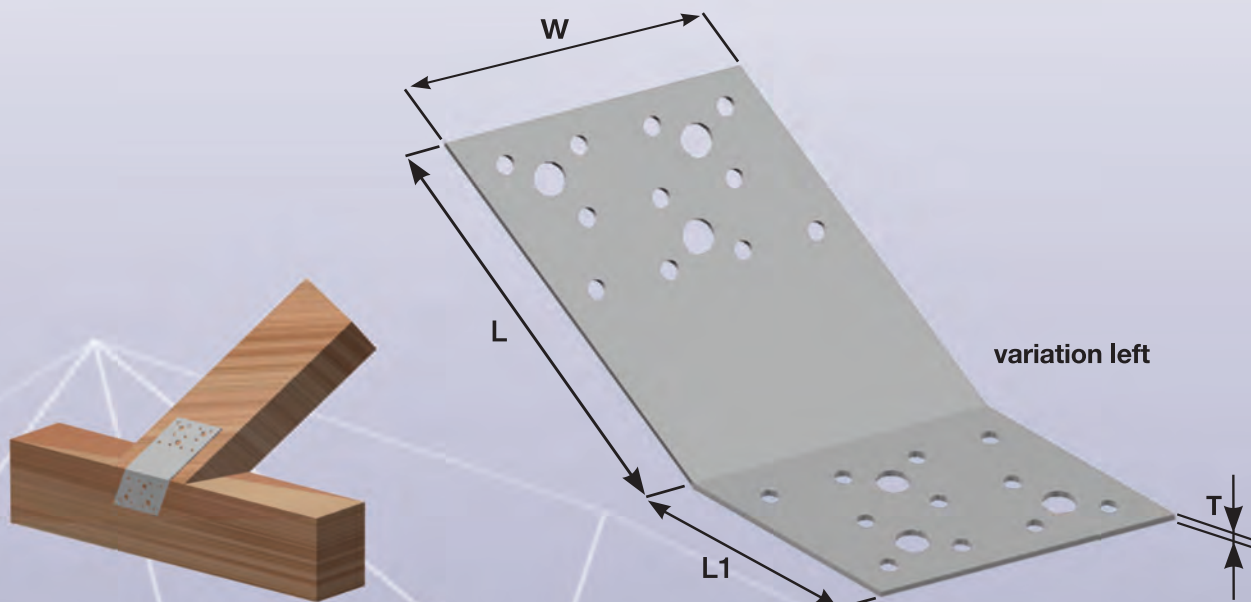
05 - 17/80

ANGLE BUCKET* BV/Ú

Dimension	W	L	L1	T
	80	108	63	2

*for the hip roof

variation: left,right



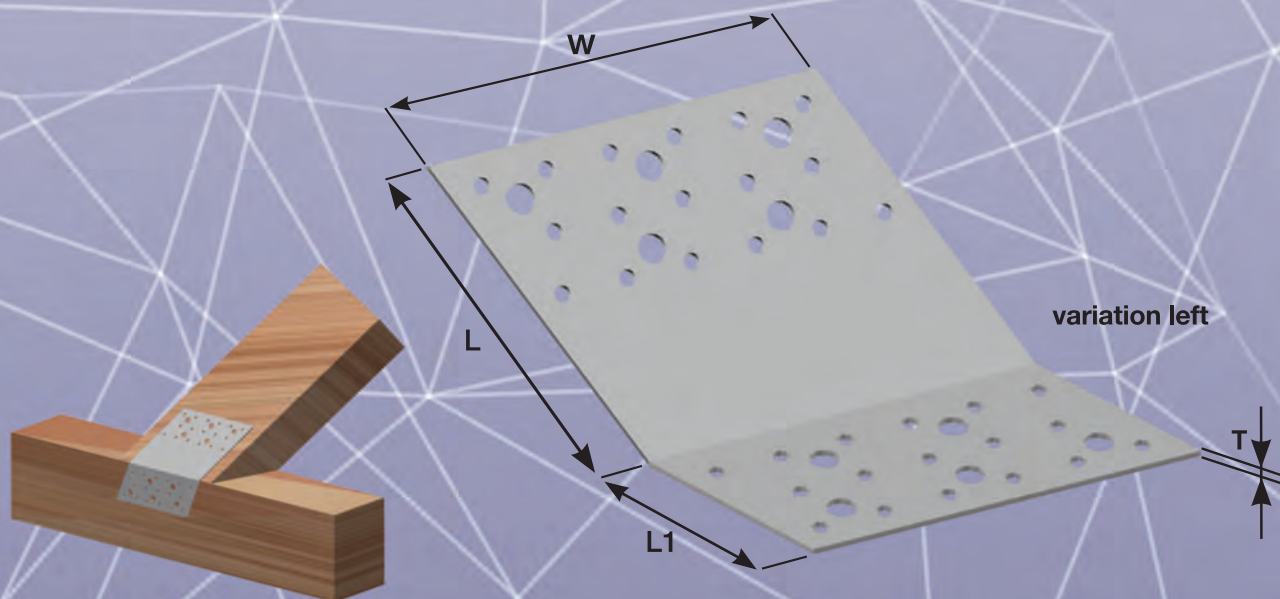
05 - 18/120

ANGLE BUCKET* BV/Ú

Dimension	W	L	L1	T
	120	108	63	2

*for the hip roof

variation: left,right



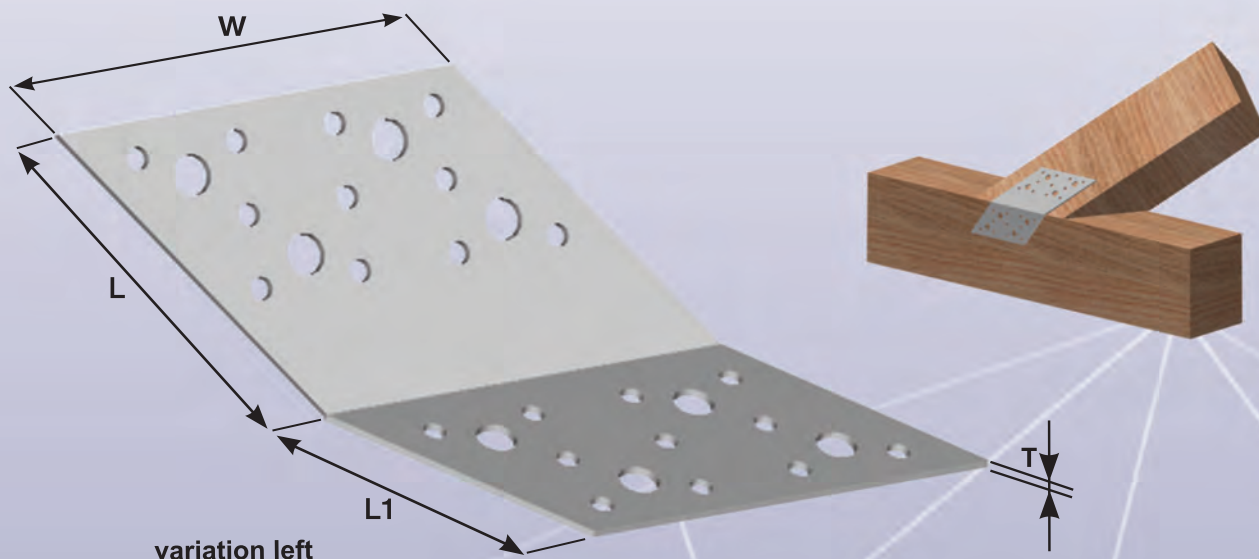
ANGLE BUCKET* BV/Ú

05 - 19/80

*for the hip roof

Dimension	W	L	L1	T
	80	86	63	2

variation: left, right



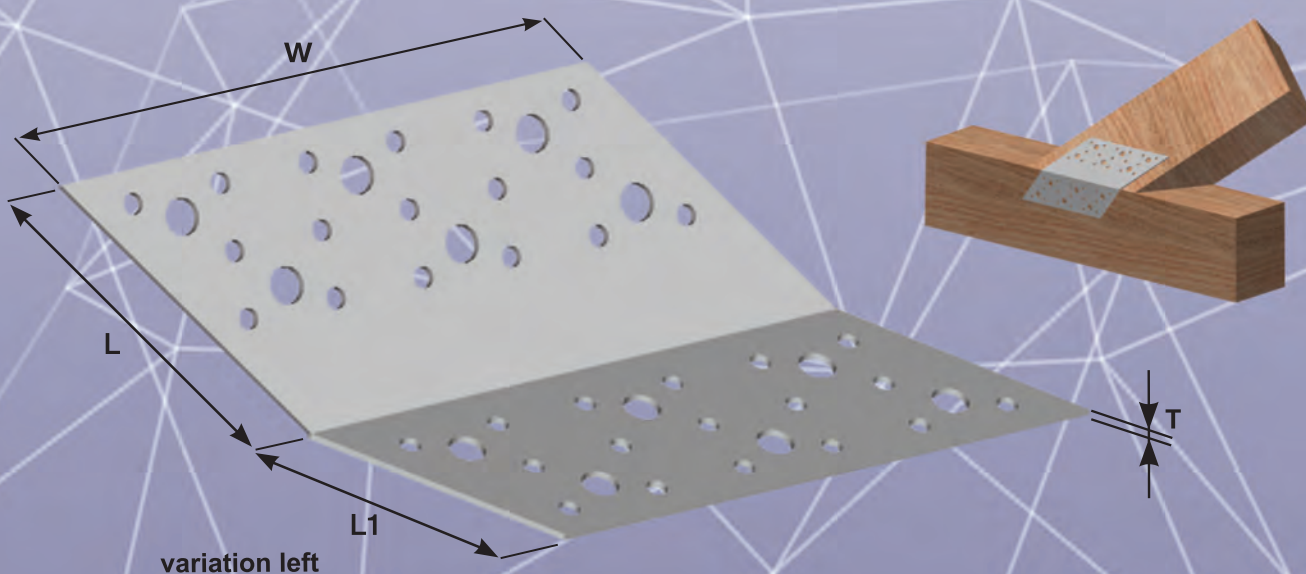
ANGLE BUCKET* BV/Ú

05 - 20/120

*for the hip roof

Dimension	W	L	L1	T
	120	86	63	2

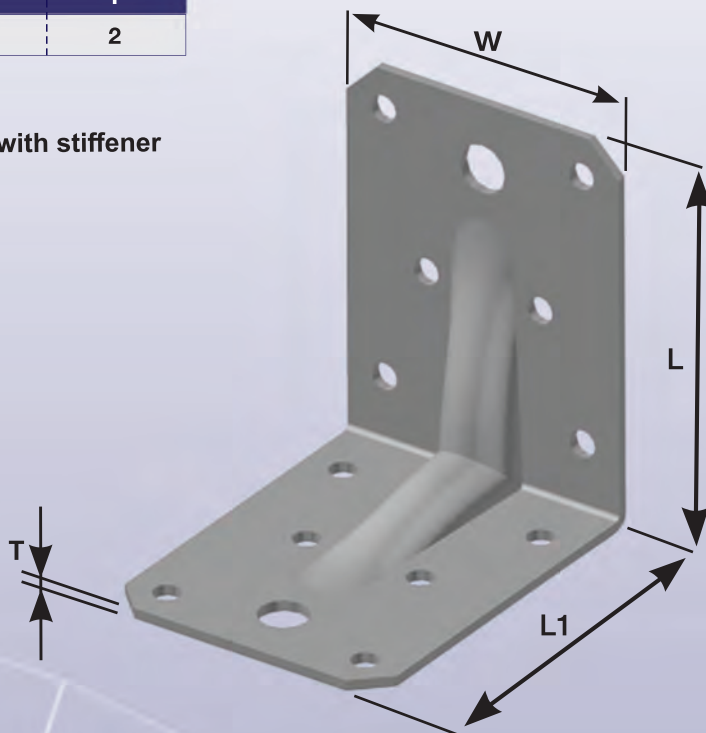
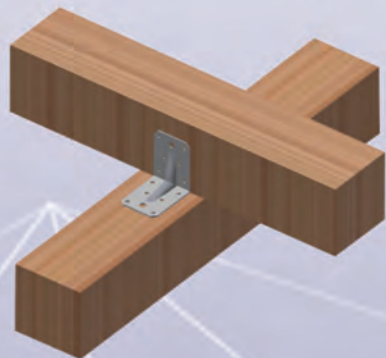
variation: left, right



05 - 21/V ANGLE BRACKET* BV/Ú 55 x 70 x 70

Dimension	W	L	L1	T
	55	72	72	2

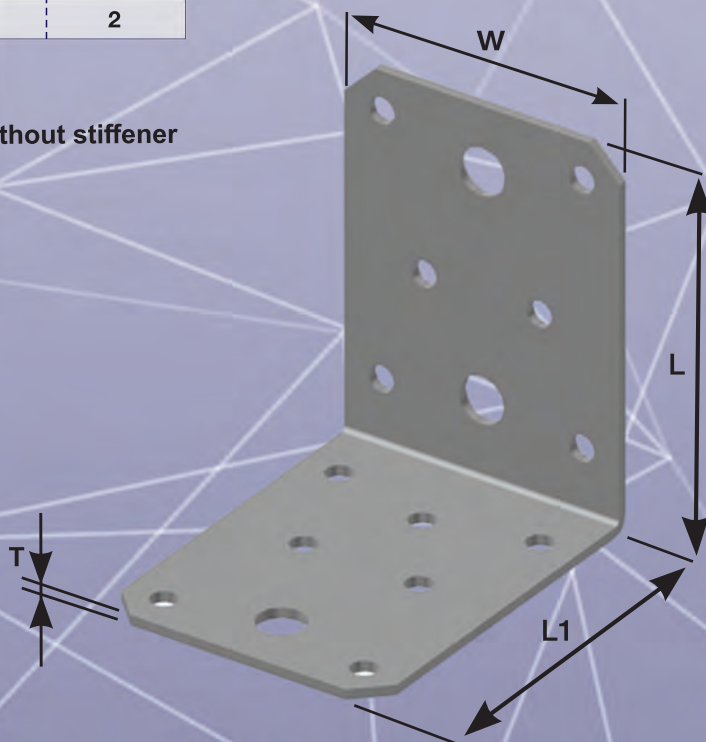
*with stiffener



05 - 21/BV ANGLE BRACKET* BV/Ú 55 x 70x 70

Dimension	W	L	L1	T
	55	72	72	2

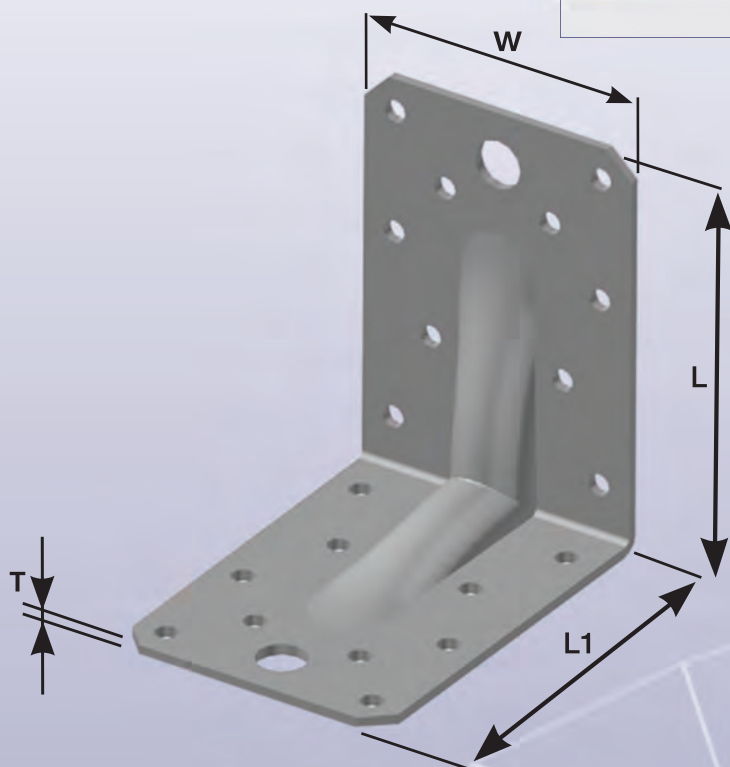
*without stiffener



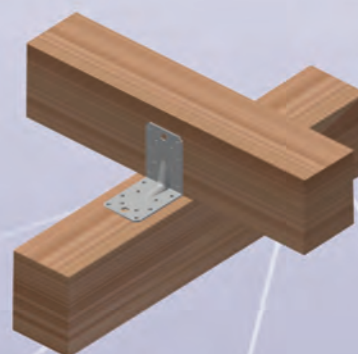
ANGLE BRACKET* BV/Ú 65 x 90 x 90

05 - 22/V

Dimension	W	L	L1	T
	65	92,5	92,5	2,5



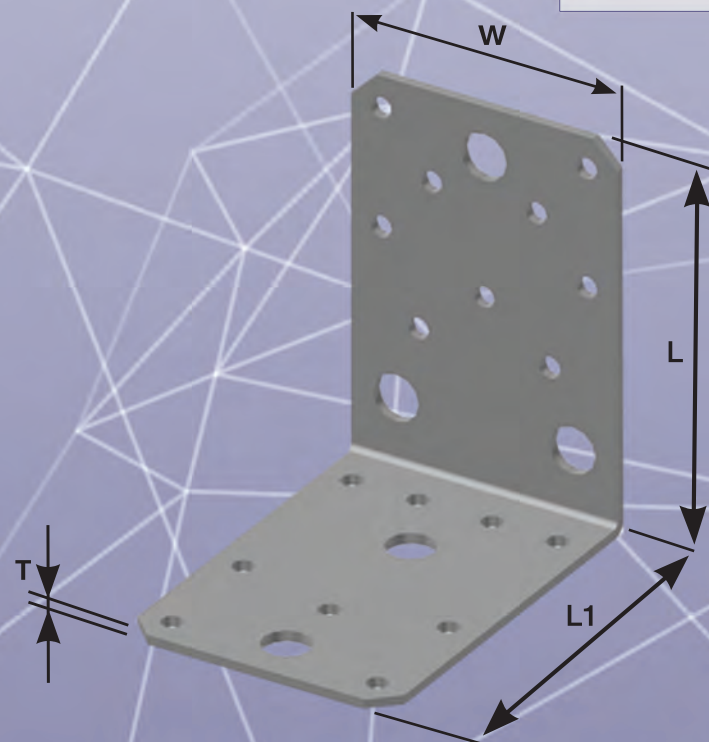
*with stiffener



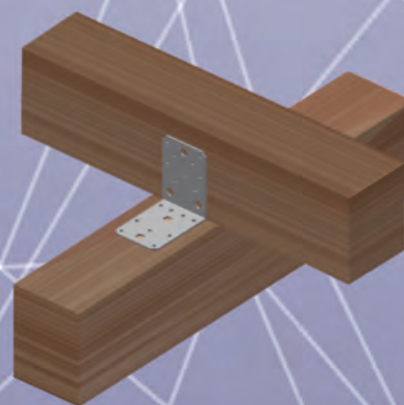
ANGLE BRACKET* BV/Ú 65 x 90 x 90

05 - 22/BV

Dimension	W	L	L1	T
	65	92,5	92,5	2,5



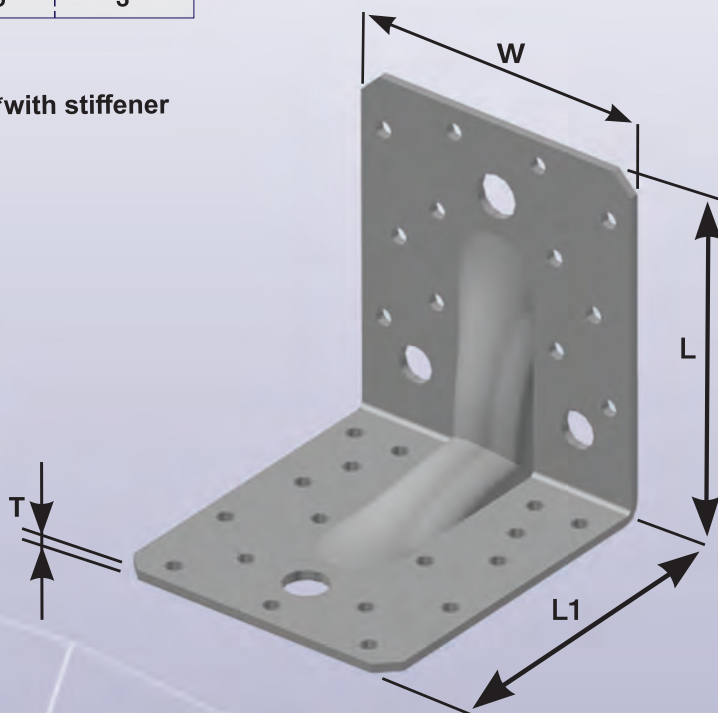
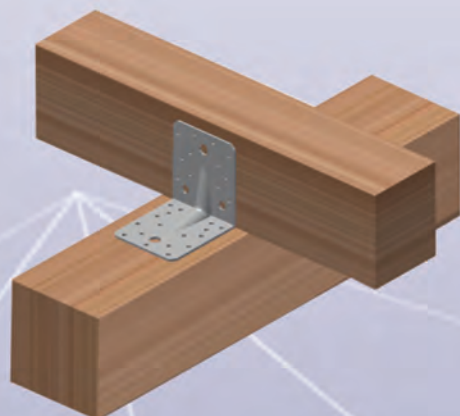
*without stiffener



05 - 23/V ANGLE BRACKET* BV/Ú 90 x 105 x 105

Dimension	W	L	L1	T
	90	105	105	3

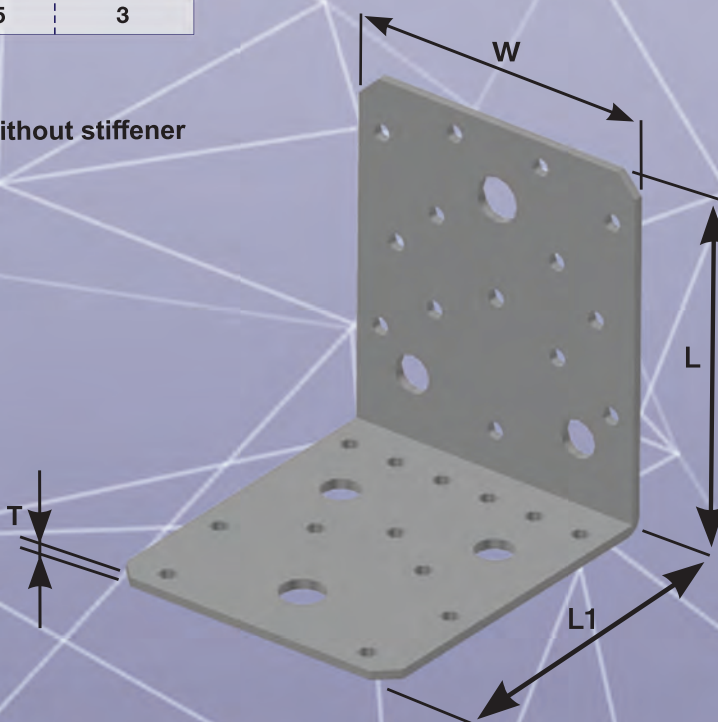
*with stiffener



05 - 23/BV ANGLE BRACKET* BV/Ú 90 x 105 x 105

Dimension	W	L	L1	T
	90	105	105	3

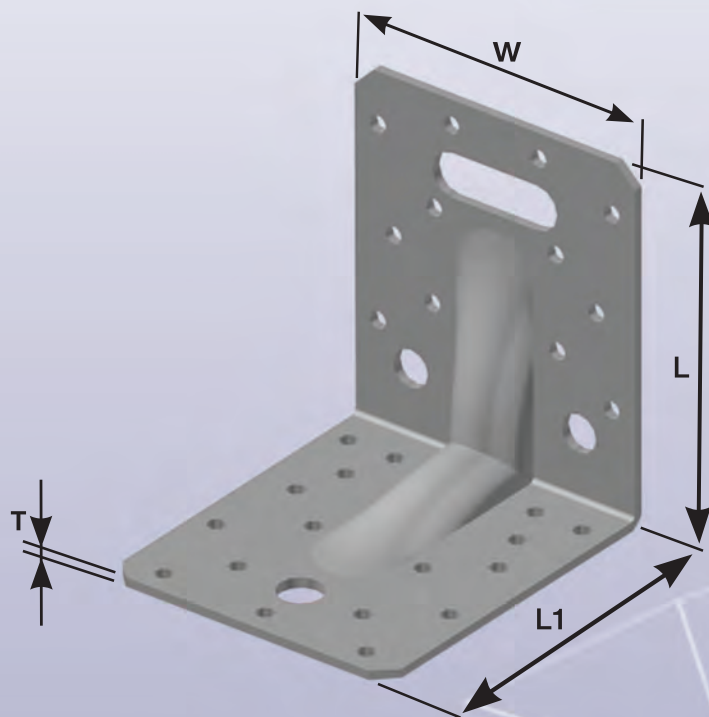
*without stiffener



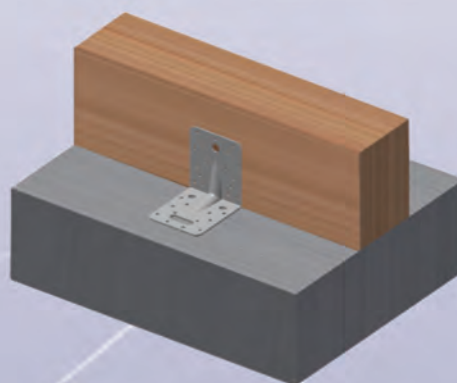
ANGLE BRACKET* 90 x 105 x 105

05 - 23/O

Dimension	W	L	L1	T
	90	105	105	3



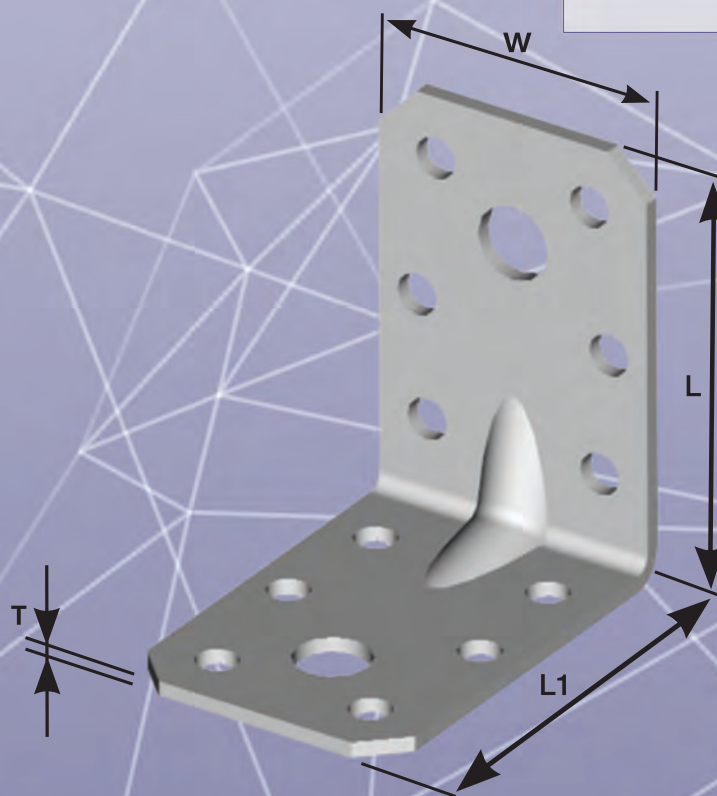
*with oval 40 x 13



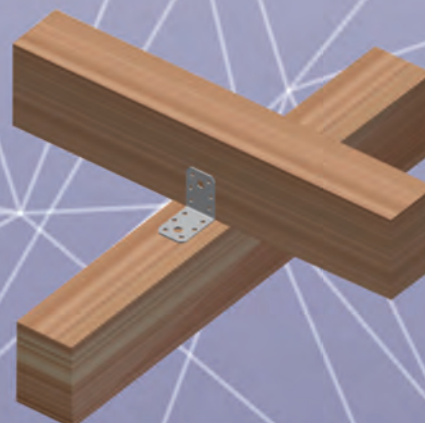
ANGLE BRACKET* 35 x 50 x 50

05 - 23/O

Dimension	W	L	L1	T
	35	50	50	2



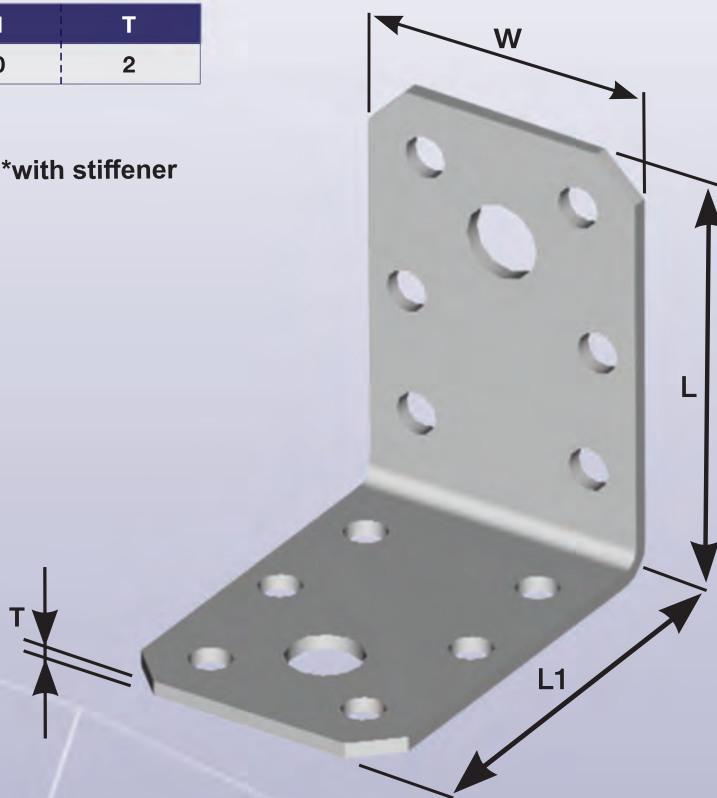
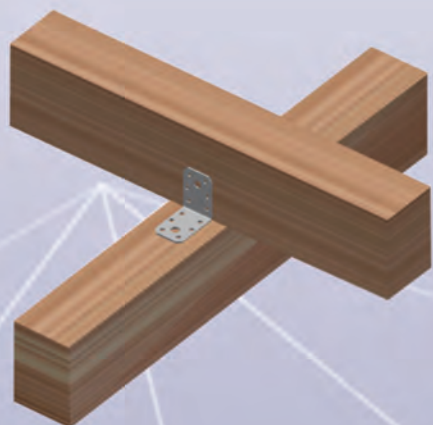
*with stiffener



05 - 24/BV ANGLE BRACKET* BV/Ú 35 x 50 x 50

Dimension	W	L	L1	T
	35	50	50	2

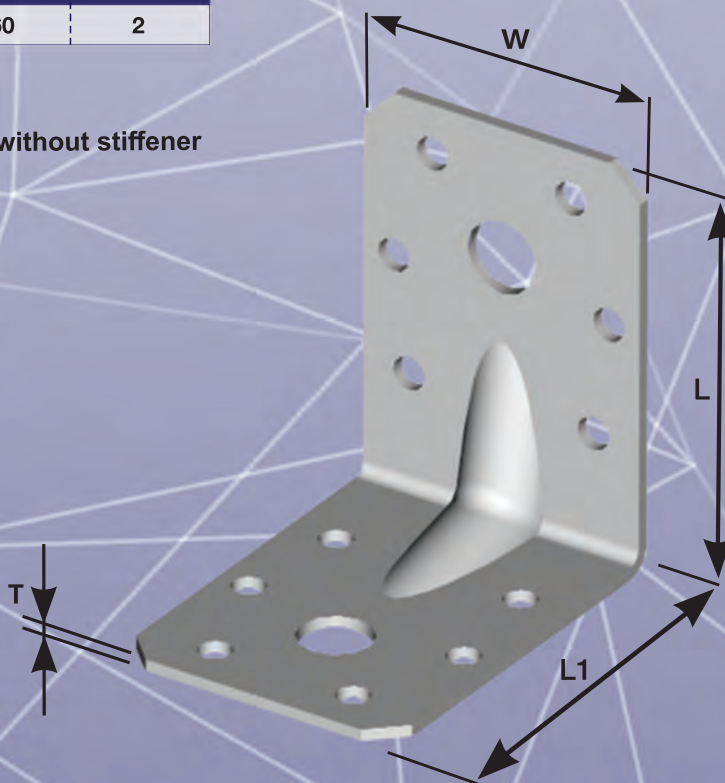
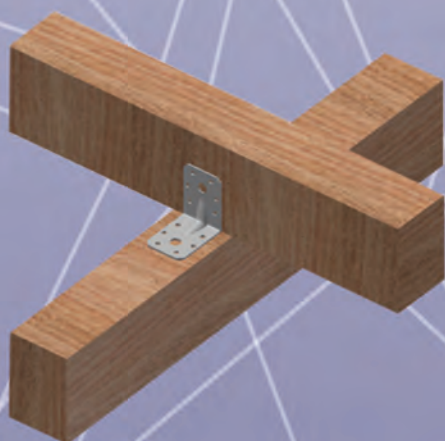
*with stiffener



05 - 25/V ANGLE BRACKET* BV/Ú 45 x 60 x 60

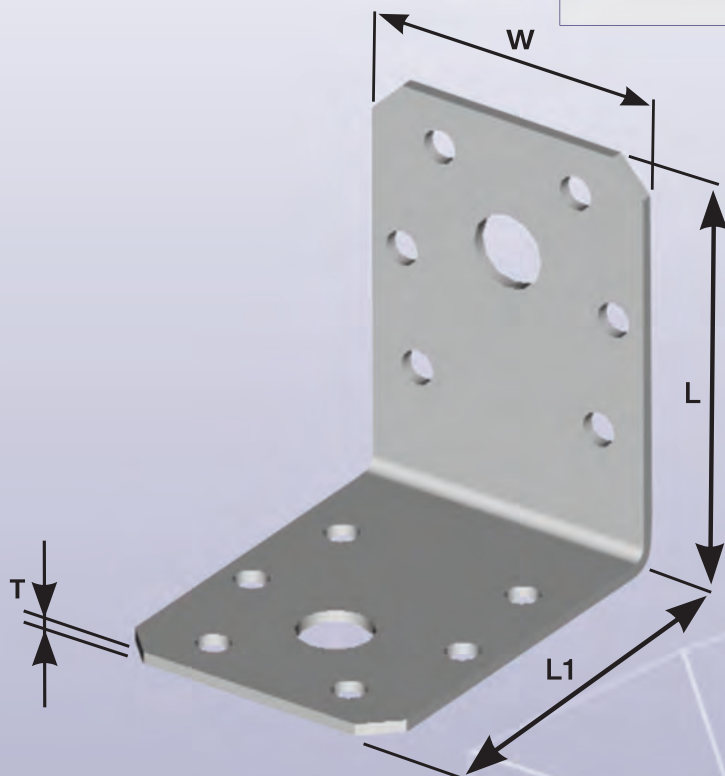
Dimension	W	L	L1	T
	45	60	60	2

*without stiffener

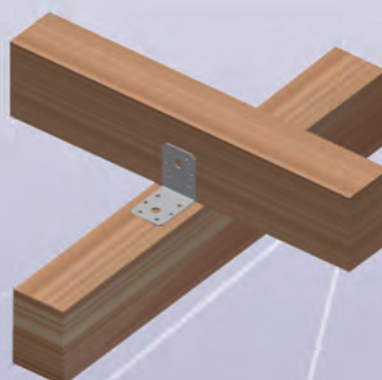


ANGLE BRACKET* BV/Ú 45 x 60 x 60 05 - 25/BV

Dimension	W	L	L1	T
	45	60	60	2



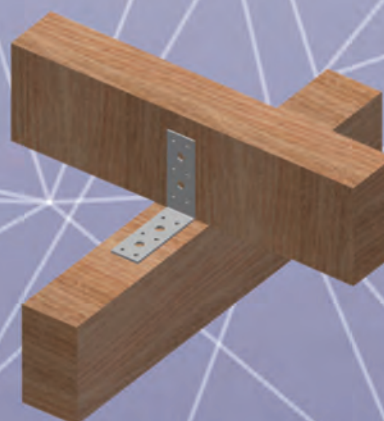
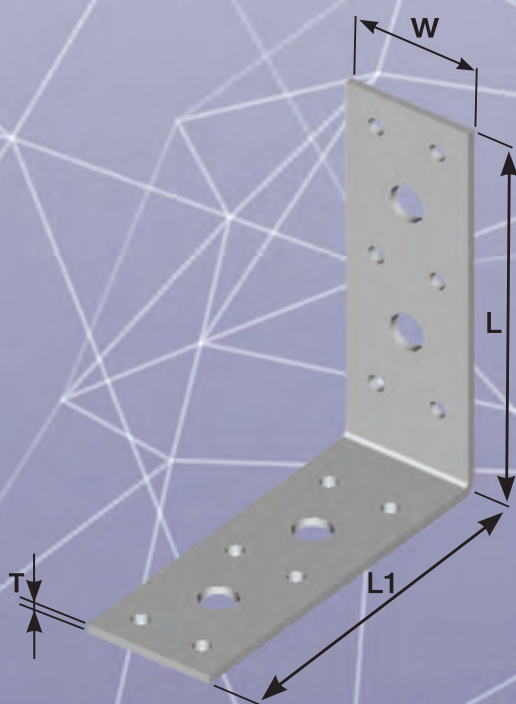
*without stiffener



ANGLE BRACKET BV/Ú 05 - 27

Dimension	W	L	T
70	40	70	3
110	40	110	3

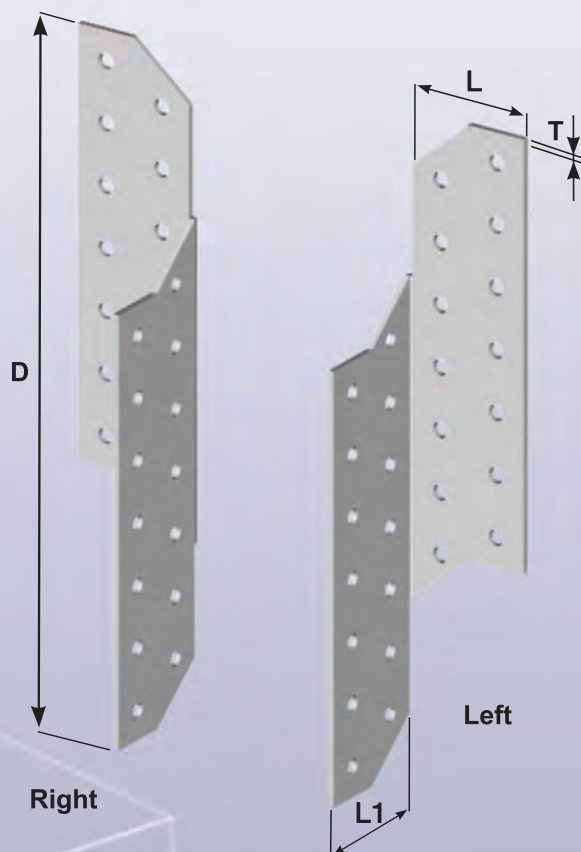
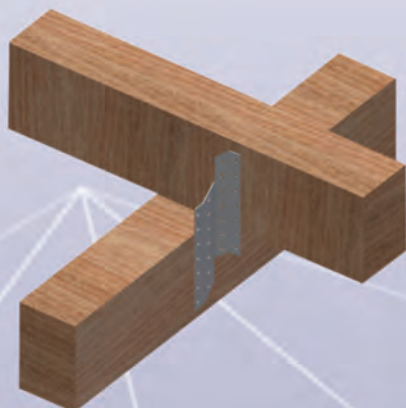
ordering example :
angle bracket BV/Ú 05 - 27/L



05 - 31 ANGLE BRACKET BV/Ú 40 x 40

length D = 150, 170, 210, 250, 290, 330 mm
length L, L1 = 40 mm
material thickness T = 2 mm
variation: left, right

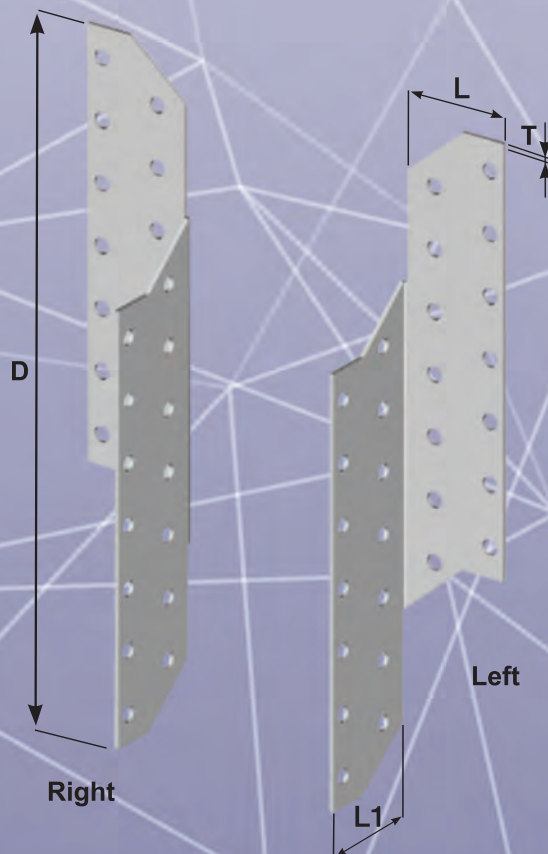
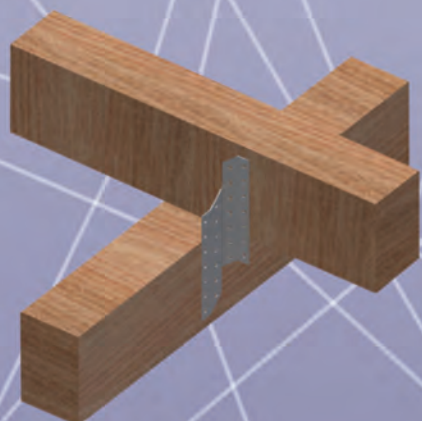
ordering example :
angle bracket BV/Ú 05-31/D - left, right



05 - 32 ANGLE BRACKET BV/Ú 35 x 35

length D = 150, 170, 210 mm
length L, L1 = 35 mm
material thickness T = 1,5 mm
variation: left, right

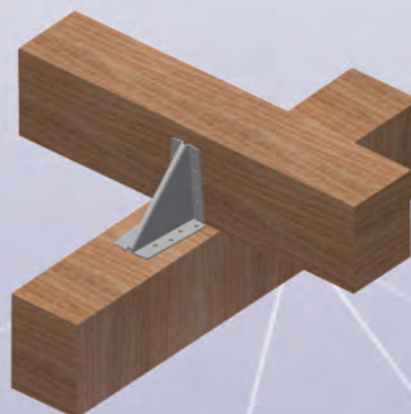
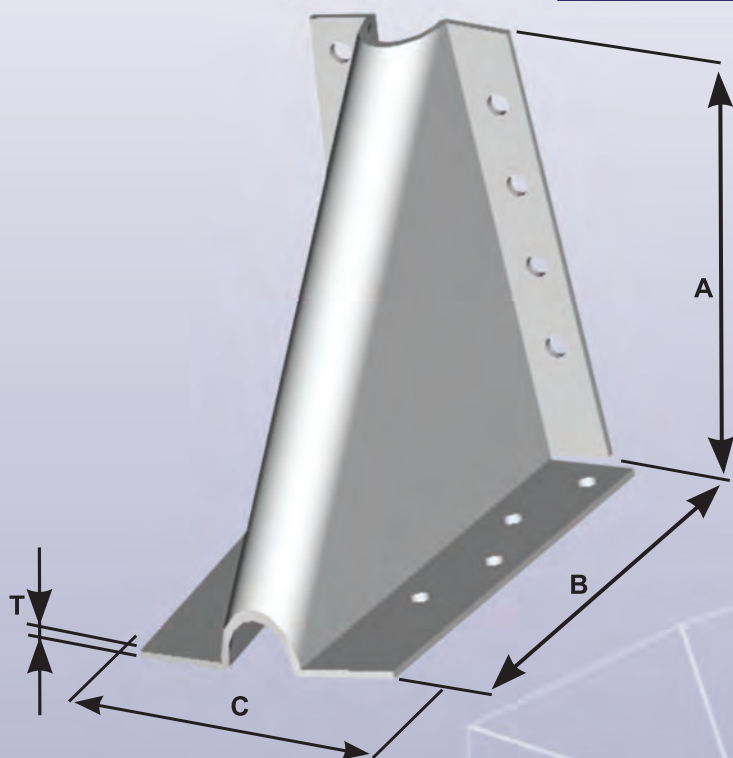
ordering example :
angle bracket BV/Ú 05-32/D - left, right



STILT BV/P 100

05 - 40

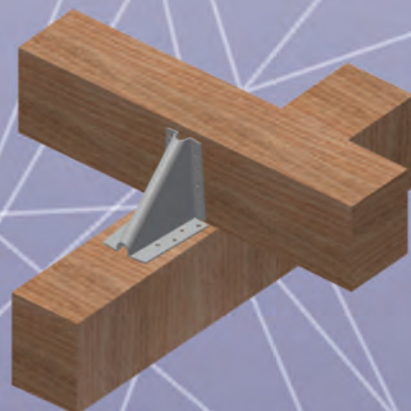
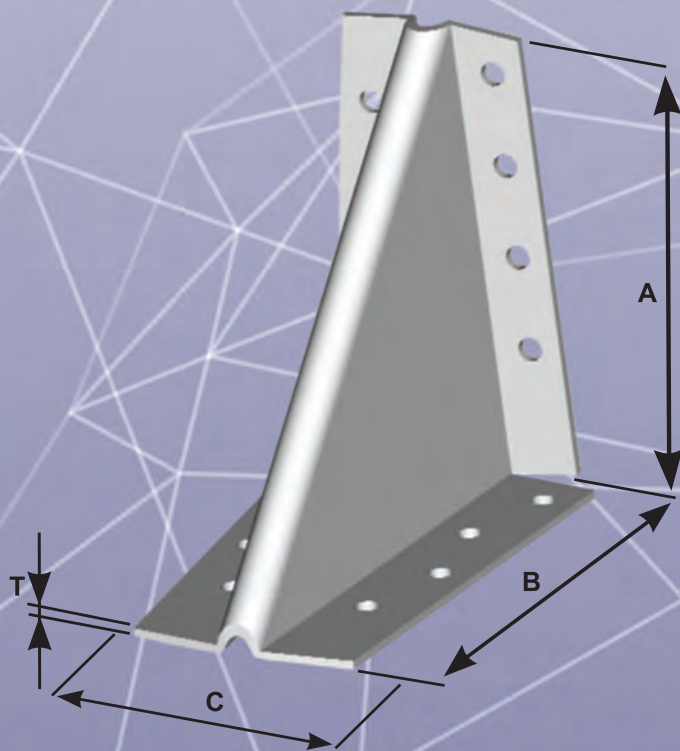
Dimension	A	B	C	T
	100	100	65	2



STILT BV/P 120

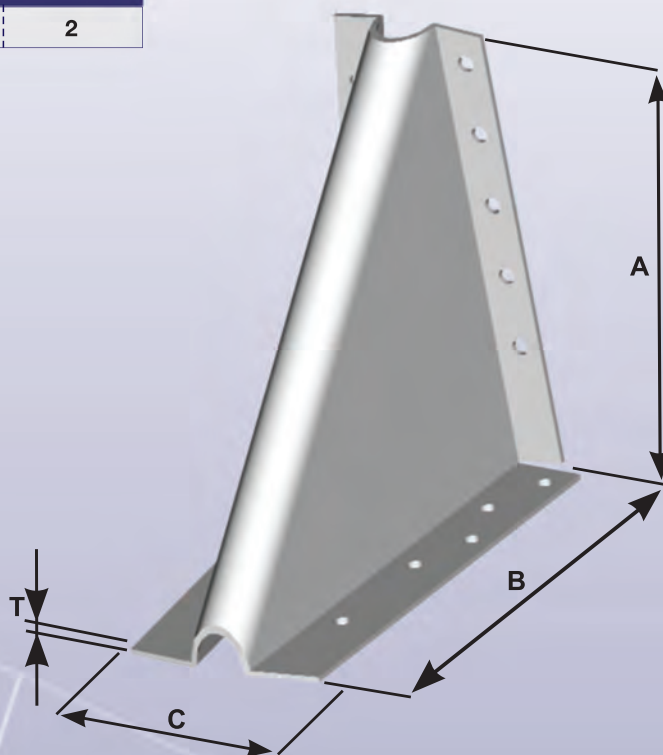
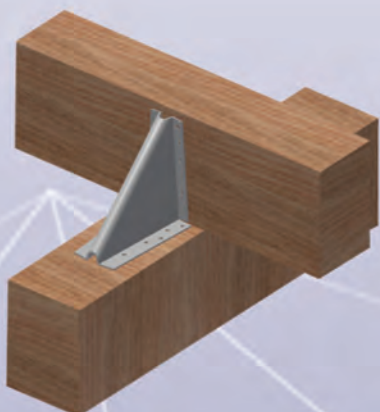
05 - 41

Dimension	A	B	C	T
	110	110	80	2



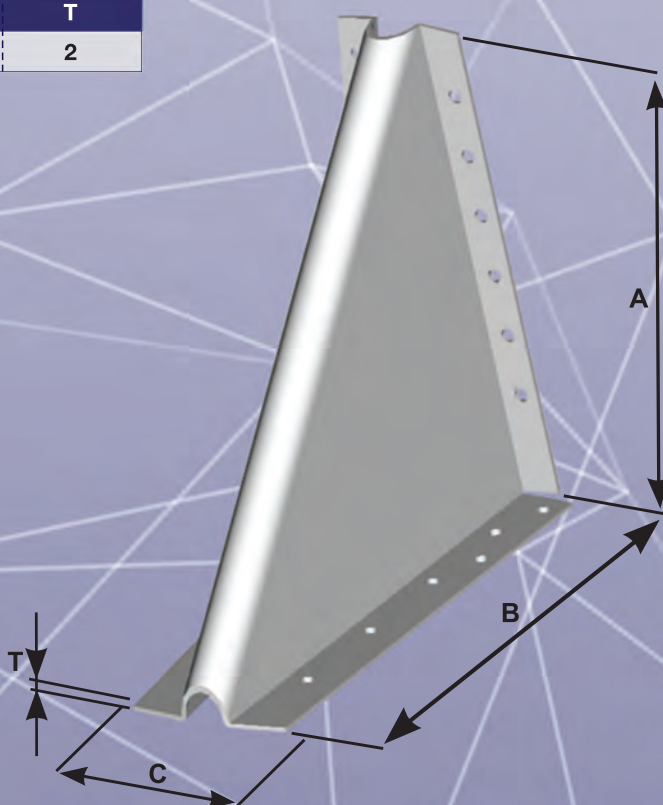
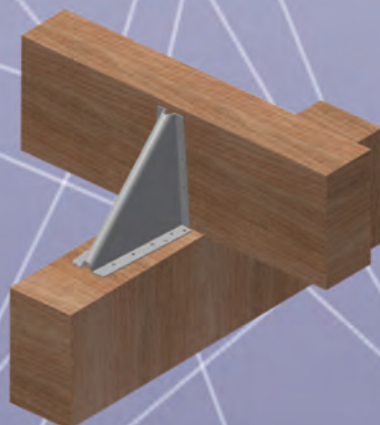
05 - 42 STILT BV/P 160

Dimension	A	B	C	T
	150	150	95	2

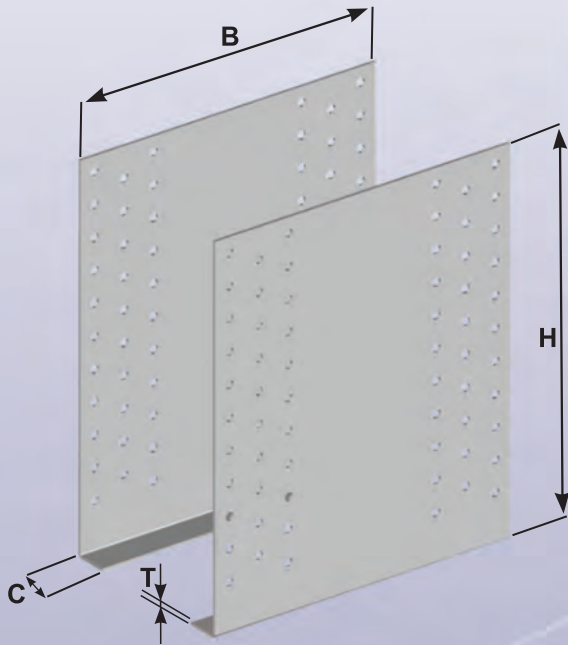


05 - 43 STILT BV/P 200

Dimension	A	B	C	T
	190	190	100	2

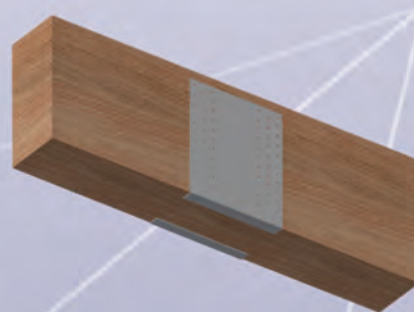


RIBBAND CONNECTOR BV/ST 05 - 50

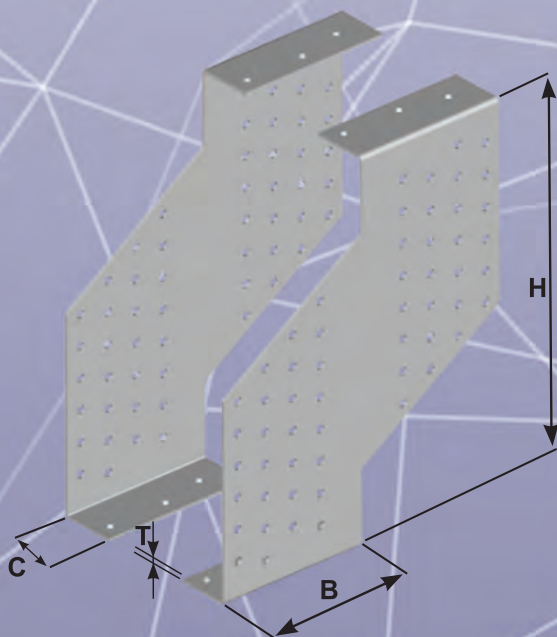


Dimension	H	B	C	T
80	80	200	20	2
100	100	200	20	2
120	120	200	20	2
140	140	200	20	2
160	160	200	20	2
180	180	200	20	2
200	200	200	20	2
220	220	200	20	2
240	240	200	20	2

ordering example :
ribband connector BV/ST 05-50/H

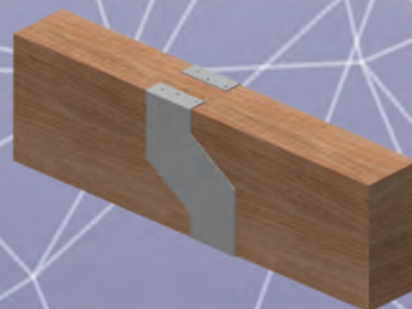


RIBBAND CONNECTOR BV/ST 05 - 51



Dimension	H	B	C	T
100	100	100	27	2
120	120	100	27	2
140	140	100	30	2
150	150	100	30	2
160	160	100	30	2
180	180	100	34	2
200	200	100	34	2
220	220	100	34	2
240	240	100	34	2

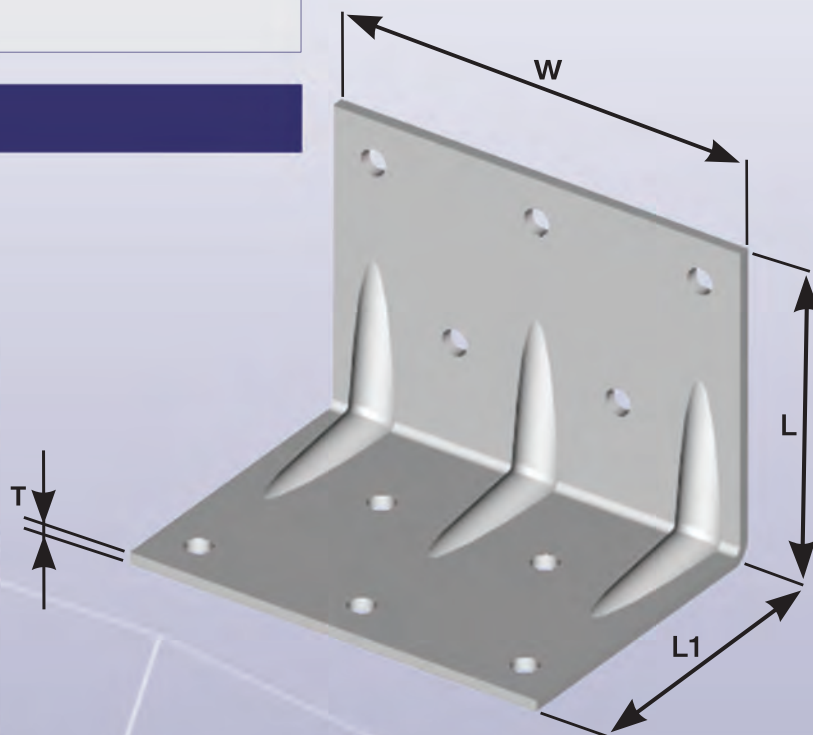
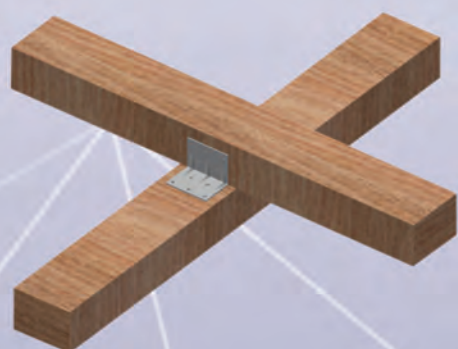
ordering example :
ribband connector BV/ST 05-51/H



05 - 80 ANGLE BV/Ú

width $W = 30, 40, 50, 60, 70, 80, 90, 100, 110, 120, 130, 140$ mm
length $L, L1 = 35$ mm
material thickness $T = 1,5$ mm

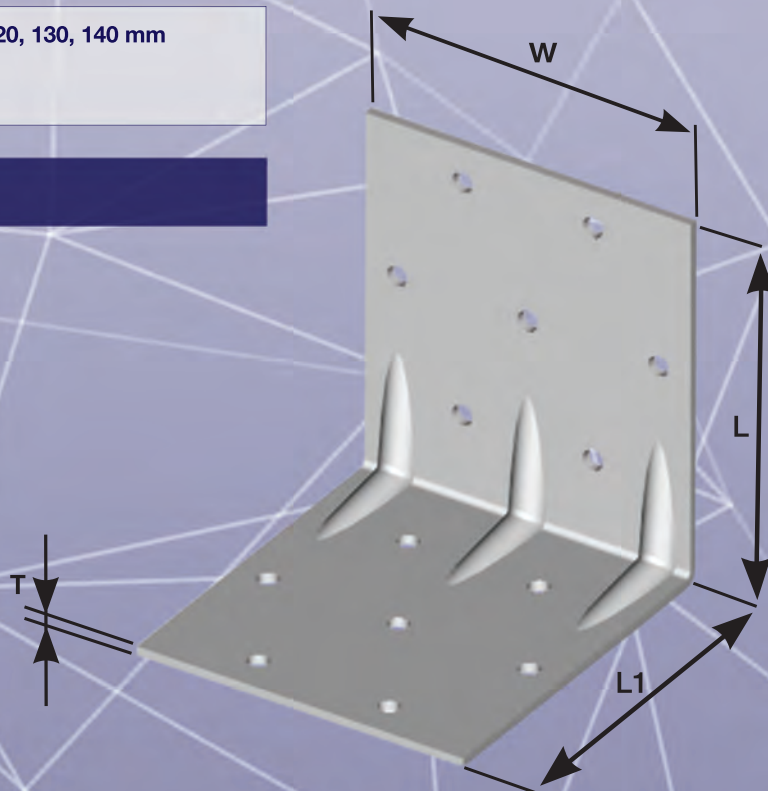
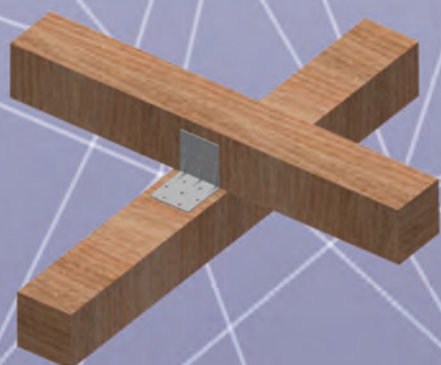
ordering example :
angle BV/Ú 05-80/W



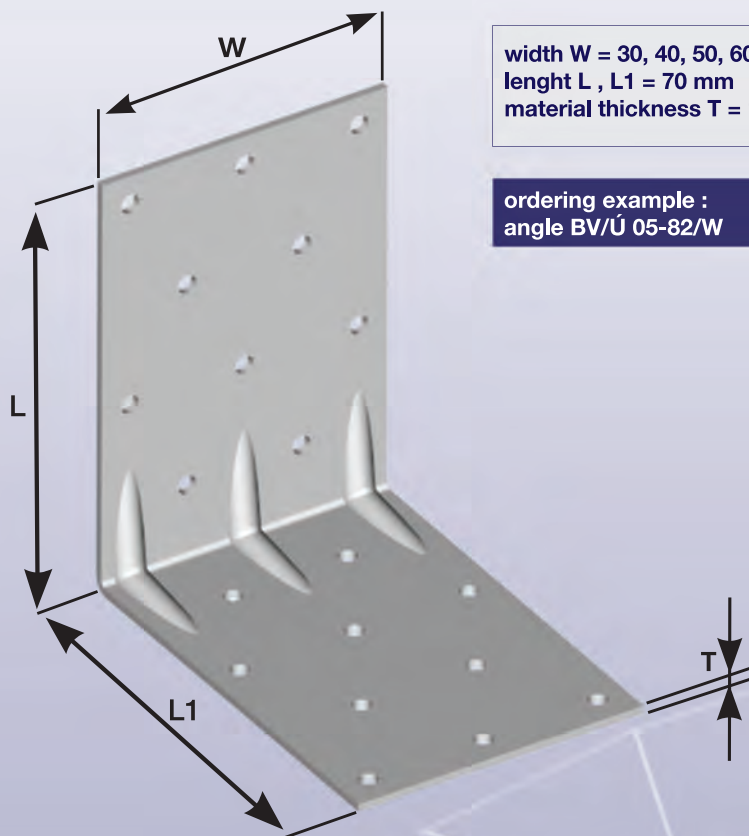
05 - 81 ANGLE BV/Ú

width $W = 30, 40, 50, 60, 70, 80, 90, 100, 110, 120, 130, 140$ mm
length $L, L1 = 53$ mm
material thickness $T = 1,5$ mm

ordering example :
angle BV/Ú 05-81/W



ANGLE BV/Ú 05 - 82



width $W = 30, 40, 50, 60, 70, 80, 90, 100, 110, 120, 130, 140$ mm
length $L, L1 = 70$ mm
material thickness $T = 1,5$ mm

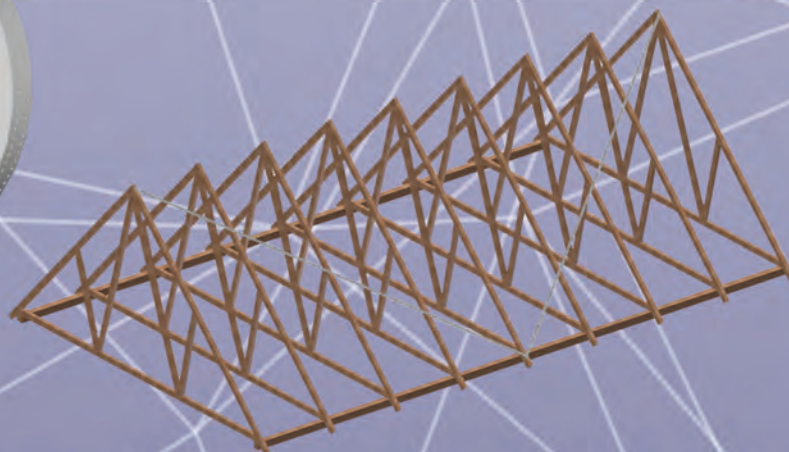
ordering example :
angle BV/Ú 05-82/W

BRACKING STRAPS BV/ZP 10 - 01



width $W = 40$ mm
length $L = \text{max. } 50$ m
material thickness $T = 2$ mm

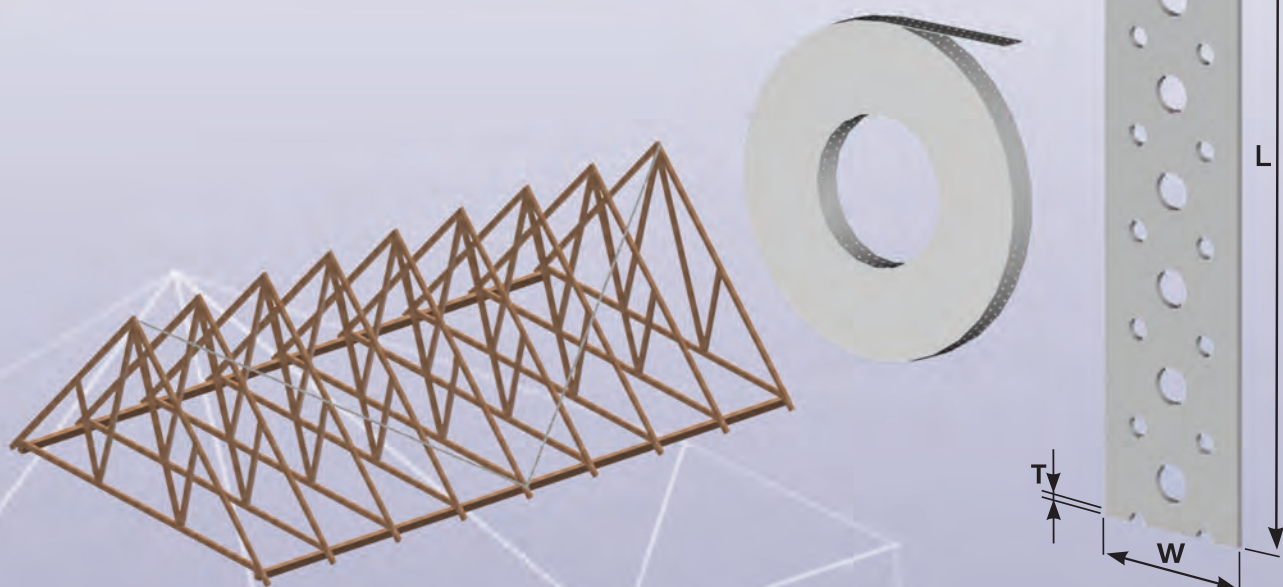
ordering example :
bracking straps BV/ZP 10-01/L



10 - 02 BRACKING STRAPS BV/ZP

width $W = 40$ mm
length $L = \text{max. } 50$ m
material thickness $T = 2$ mm

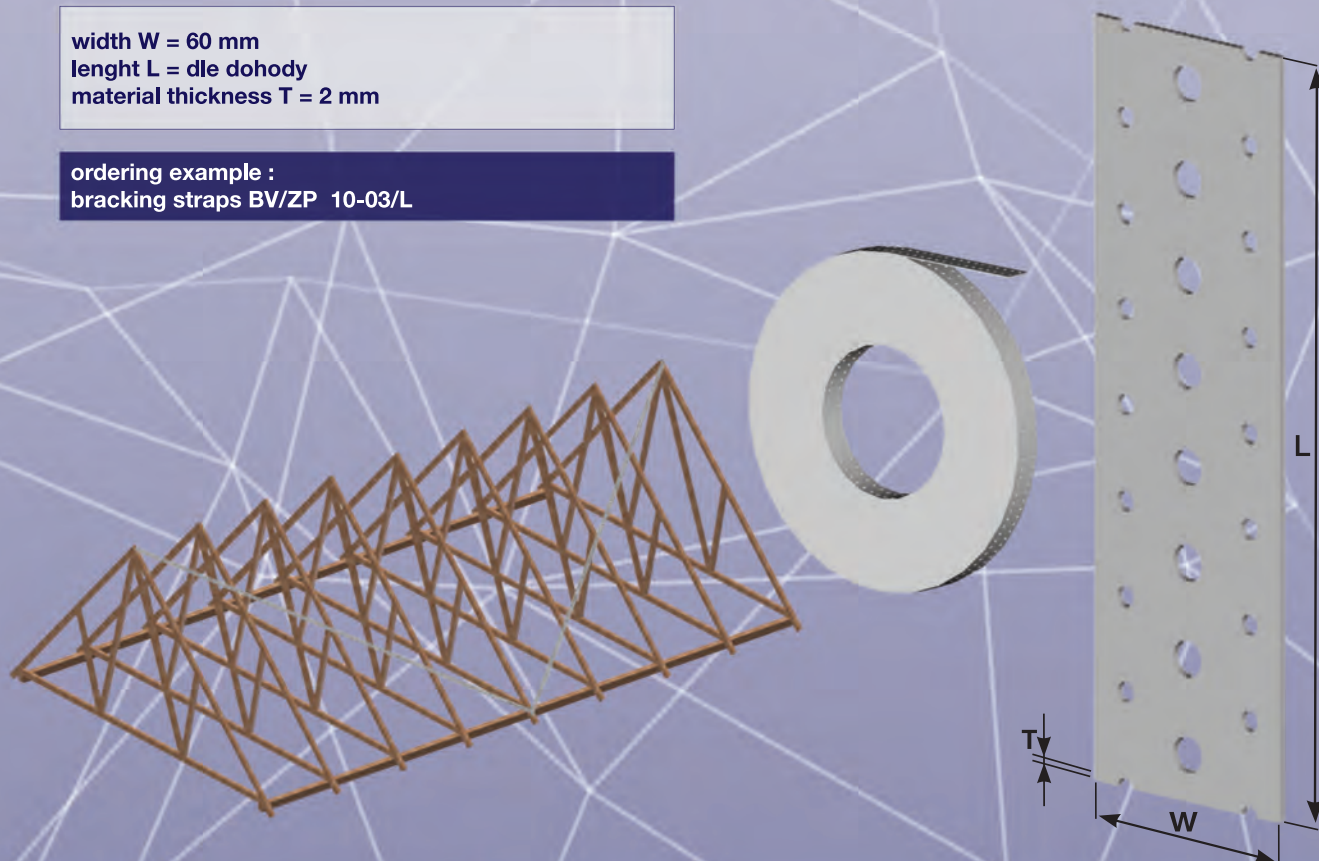
ordering example :
bracking straps BV/ZP 10-02/L



10 - 03 BRACKING STRAPS BV/ZP

width $W = 60$ mm
length $L = \text{dle dohody}$
material thickness $T = 2$ mm

ordering example :
bracking straps BV/ZP 10-03/L

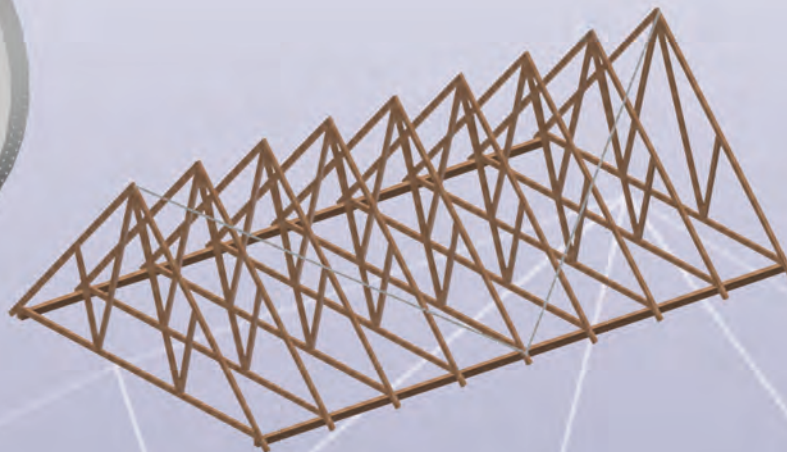


BRACKING STRAPS BV/ZP 10 - 04



width $W = 40$ mm
length $L = \text{max. } 50$ m
material thickness $T = 2$ mm

ordering example :
bracking straps BV/ZP 10-04/L

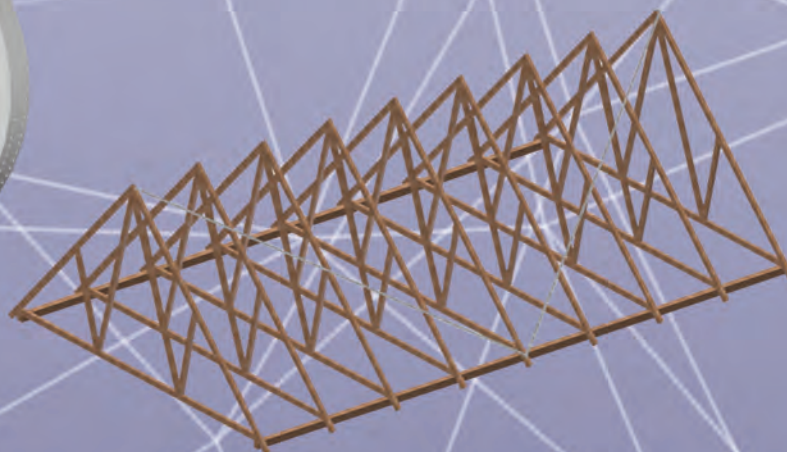


BRACKING STRAPS BV/ZP 10 - 05



width $W = 40$ mm
length $L = \text{max. } 50$ m
material thickness $T = 2$ mm

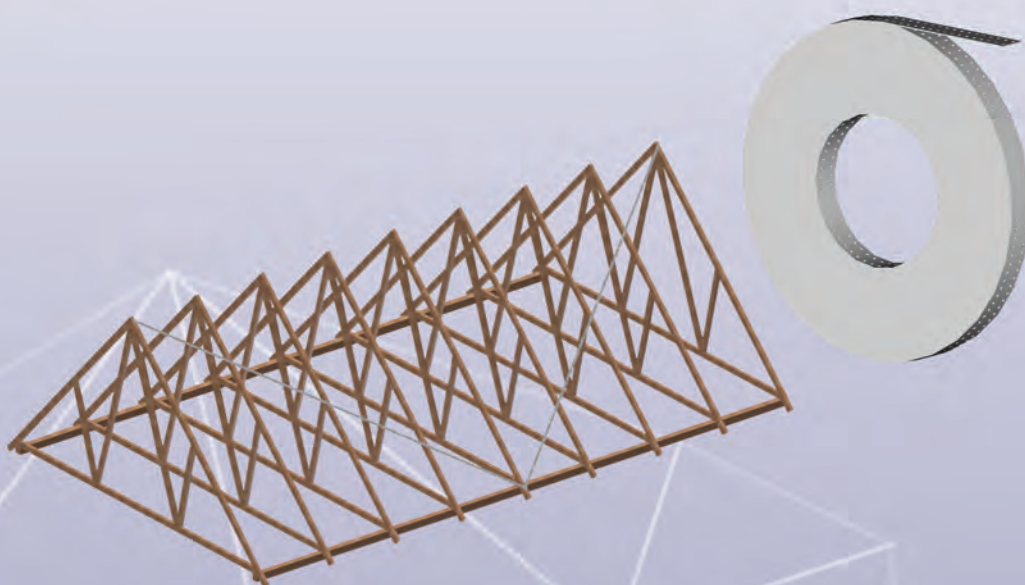
ordering example :
bracking straps BV/ZP 10-06/L



10 - 06 BRACKING STRAPS BV/ZP

width $W = 28$ mm
length $L =$ according to order
material thickness $T = 1,5$ mm

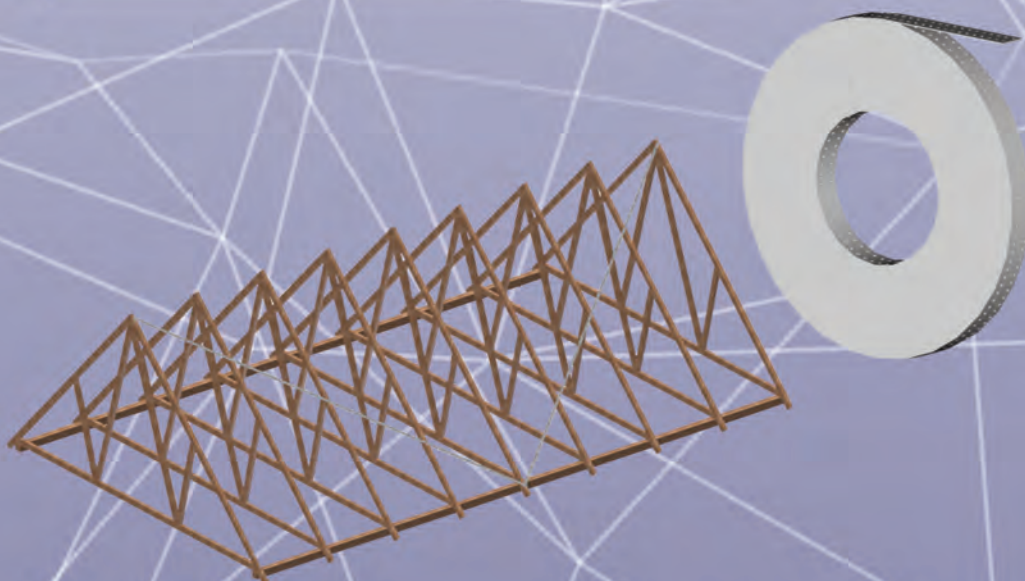
ordering example :
bracking straps BV/ZP 10-06/L



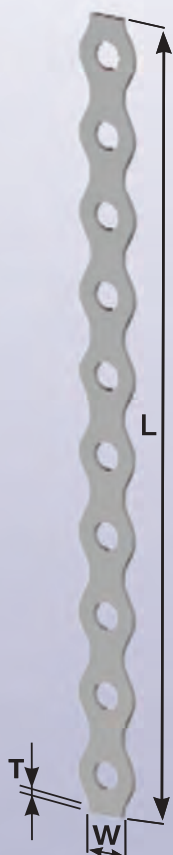
10 - 07 BRACKING STRAPS BV/ZP

width $W = 40$ mm
length $L =$ according to order
material thickness $T = 3$ mm

ordering example :
bracking straps BV/ZP 10-07/L

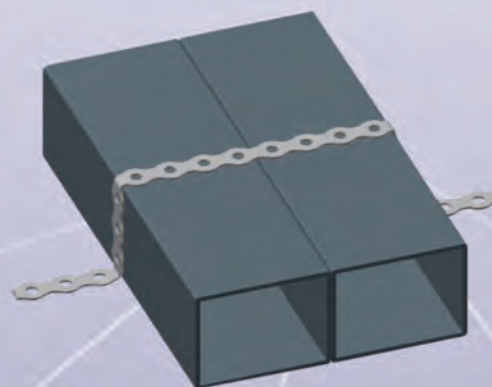
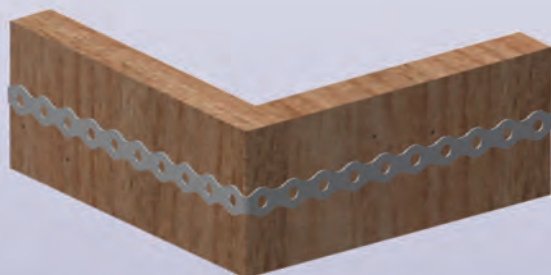


ASSEMBLY TAPE BV/MP 10 - 20



width $W = 12 \text{ mm}$
length $L =$ according to order
material thickness $T = 1 \text{ mm}$

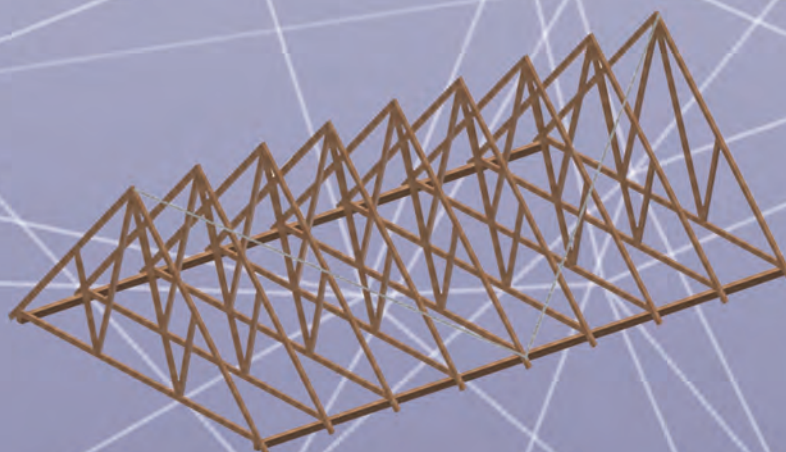
ordering example :
assembly tape BV/MP 10-20/L



BRACKING STRAPS TENSIONER



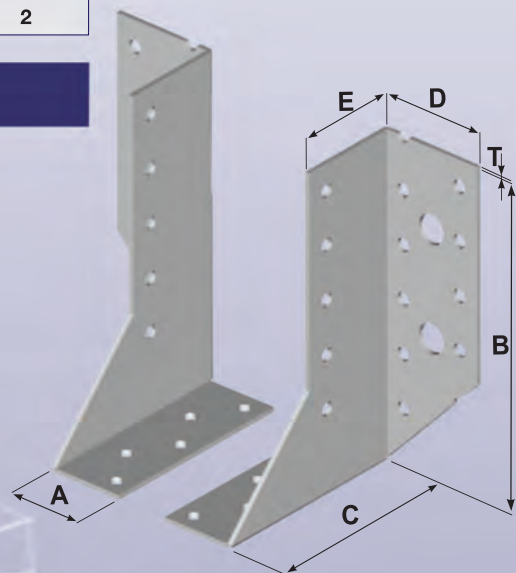
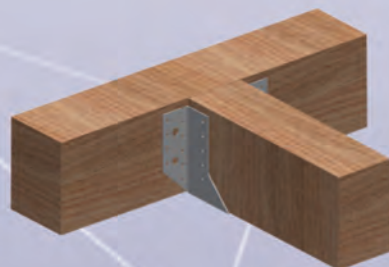
Bracking straps tensioner
BOVA BV / ZP 10-01, 10-02, 10-03, 10-04, 10-05, 10-07



11 - 20 JOIST HANGER BV/T - P, L

Dimension	A	B	C	D	E	T
	30	80	80	40	40	2
	30	100	80	40	40	2
	30	120	80	40	40	2
	30	140	80	40	40	2
	30	160	80	40	40	2
	30	180	80	40	40	2
	30	200	80	40	40	2
	30	220	80	40	40	2

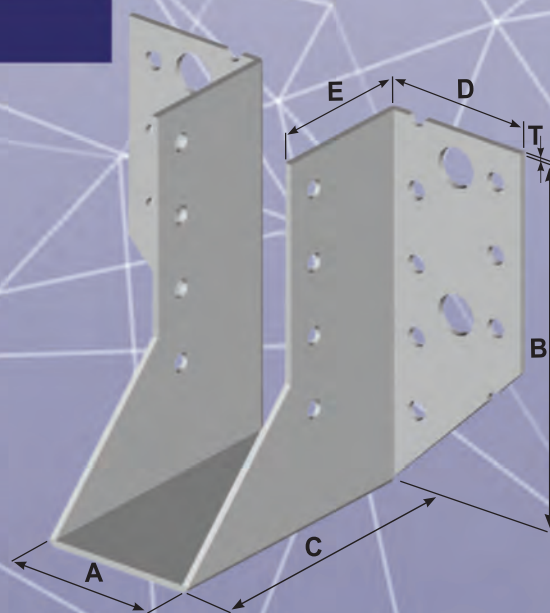
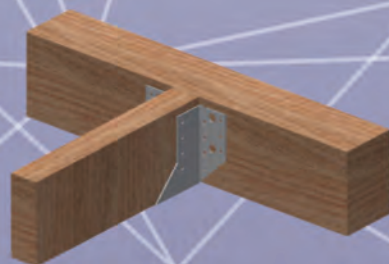
ordering example :
joist hanger BV/T 11-20/B



11 - 21 JOIST HANGER BV/T - 40

Dimension	A	B	C	D	E	T
40 x 60	40	60	80	40	40	2
40 x 80	40	80	80	40	40	2
40 x 100	40	100	80	40	40	2
40 x 120	40	120	80	40	40	2

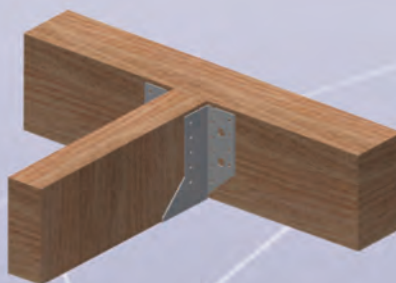
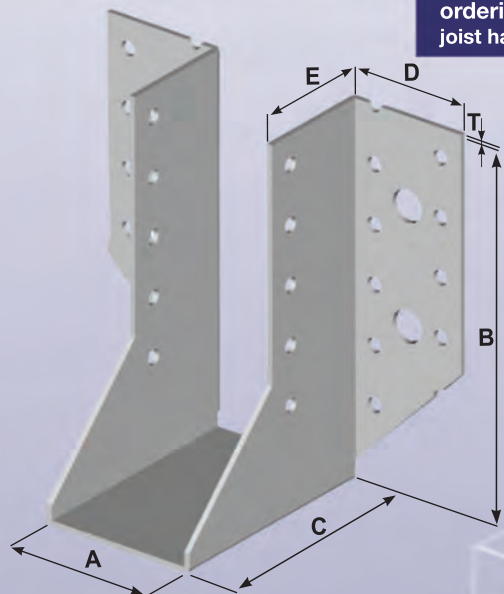
ordering example :
joist hanger BV/T 11-21/B



JOIST HANGER BV/T - 50 11 - 22

Dimension	A	B	C	D	E	T
50 x 85	50	85	80	40	40	2
50 x 105	50	105	80	40	40	2
50 x 125	50	125	80	40	40	2
50 x 145	50	145	80	40	40	2
50 x 165	50	165	80	40	40	2

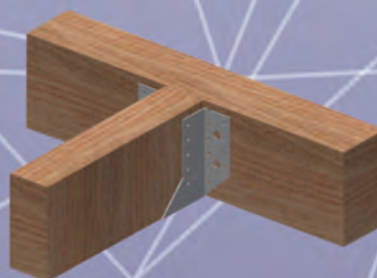
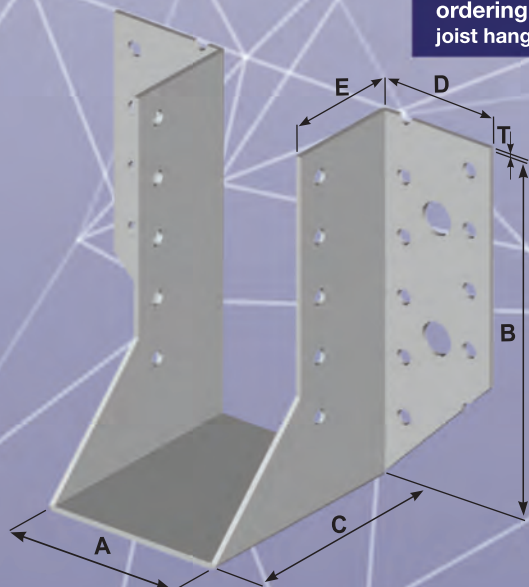
ordering example :
joist hanger BV/T 11-22/B



JOIST HANGER BV/T - 60 11 - 23

Dimension	A	B	C	D	E	T
60 x 80	60	80	80	40	40	2
60 x 100	60	100	80	40	40	2
60 x 120	60	120	80	40	40	2
60 x 140	60	140	80	40	40	2
60 x 160	60	160	80	40	40	2

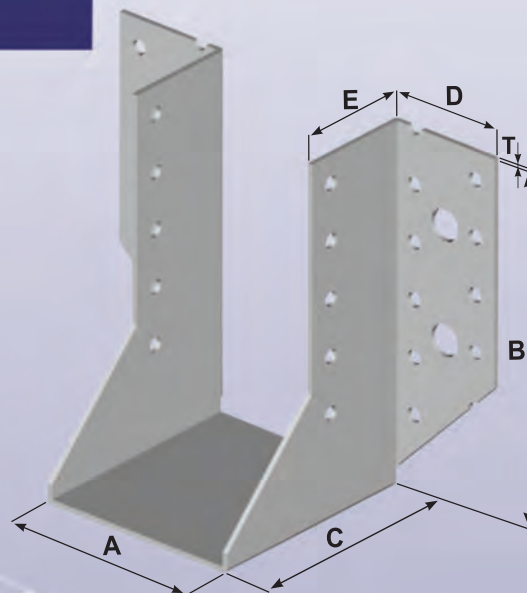
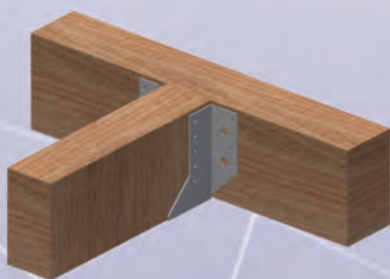
ordering example :
joist hanger BV/T 11-23/B



11 - 24 JOIST HANGER BV/T - 70

Dimension	A	B	C	D	E	T
70 x 105	70	105	80	40	40	2
70 x 125	70	125	80	40	40	2
70 x 145	70	145	80	40	40	2
70 x 165	70	165	80	40	40	2

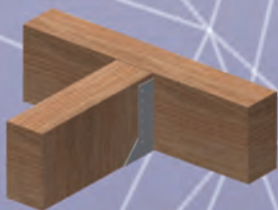
ordering example :
joist hanger BV/T 11-24/B



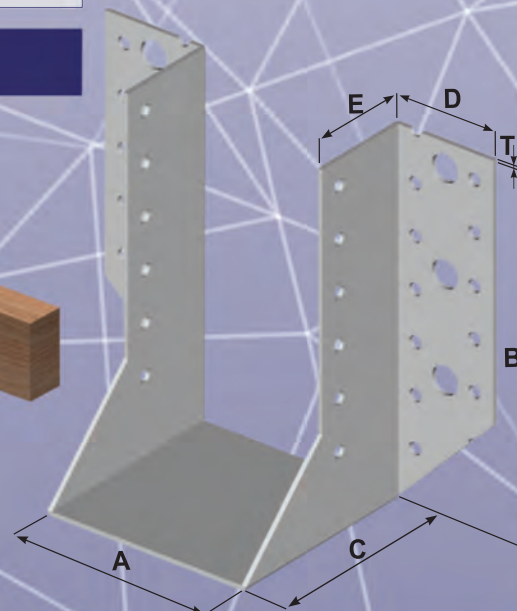
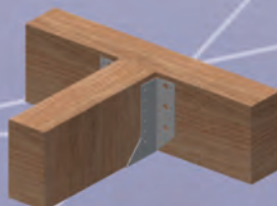
11 - 25 JOIST HANGER BV/T - 80

Dimension	A	B	C	D	E	T
80 x 80	80	80	80	40	40	2
80 x 100	80	100	80	40	40	2
80 x 120	80	120	80	40	40	2
80 x 140	80	140	80	40	40	2
80 x 160	80	160	80	40	40	2
80 x 200	80	200	80	40	40	2

ordering example : joist hanger BV/T 11-25/B
variation: external, internal



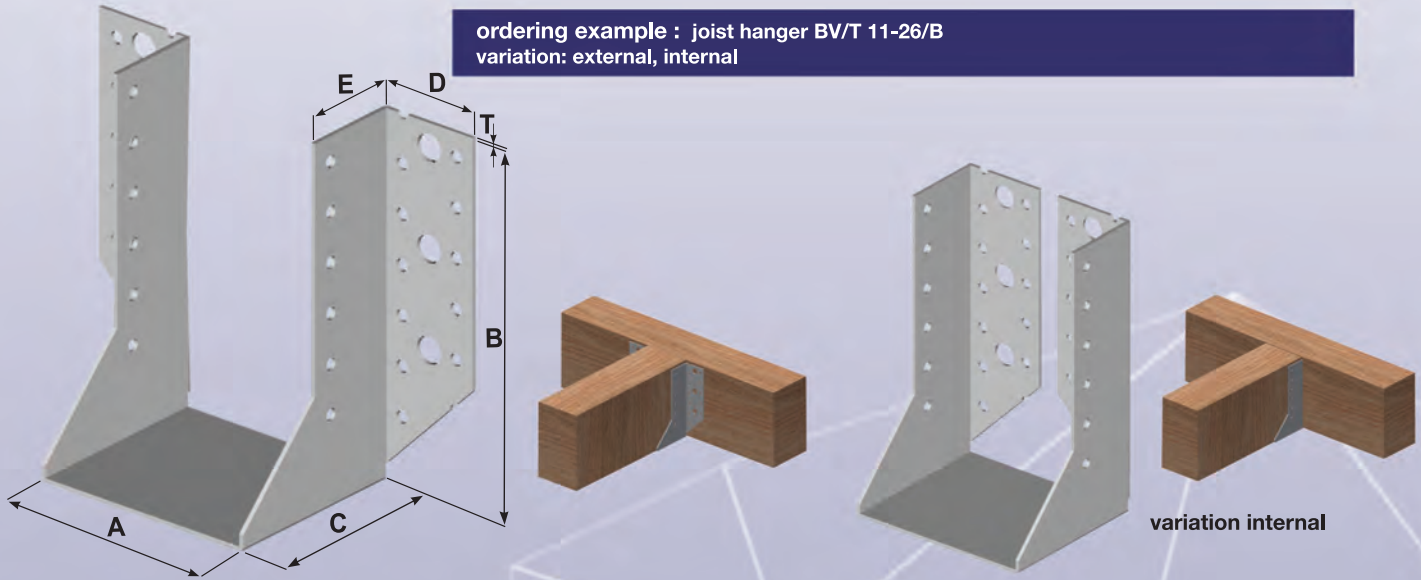
variation internal



JOIST HANGER BV/T - 90 11 - 26

Dimension	A	B	C	D	E	T
90 x 85	90	85	80	40	40	2
90 x 105	90	105	80	40	40	2
90 x 125	90	125	80	40	40	2
90 x 145	90	145	80	40	40	2
90 x 165	90	165	80	40	40	2

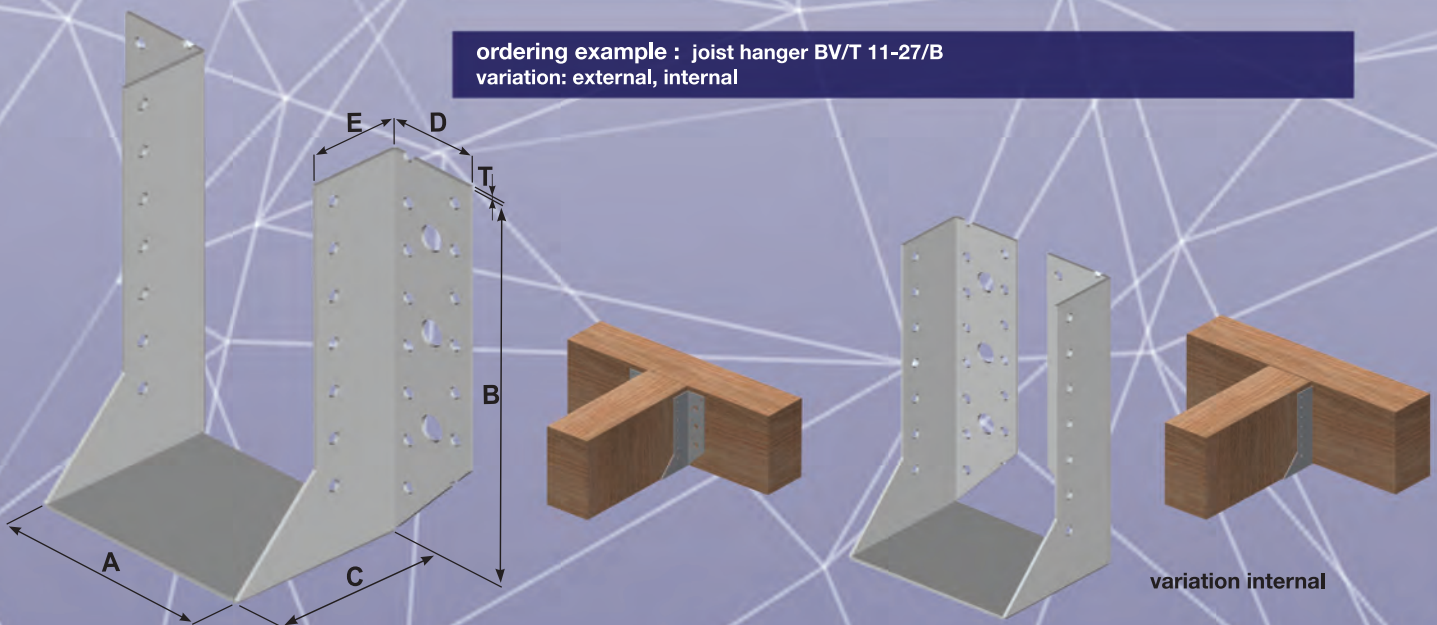
ordering example : joist hanger BV/T 11-26/B
variation: external, internal



JOIST HANGER BV/T - 100 11 - 27

Dimension	A	B	C	D	E	T
100 x 100	100	100	80	40	40	2
100 x 120	100	120	80	40	40	2
100 x 140	100	140	80	40	40	2
100 x 160	100	160	80	40	40	2
100 x 200	100	200	80	40	40	2

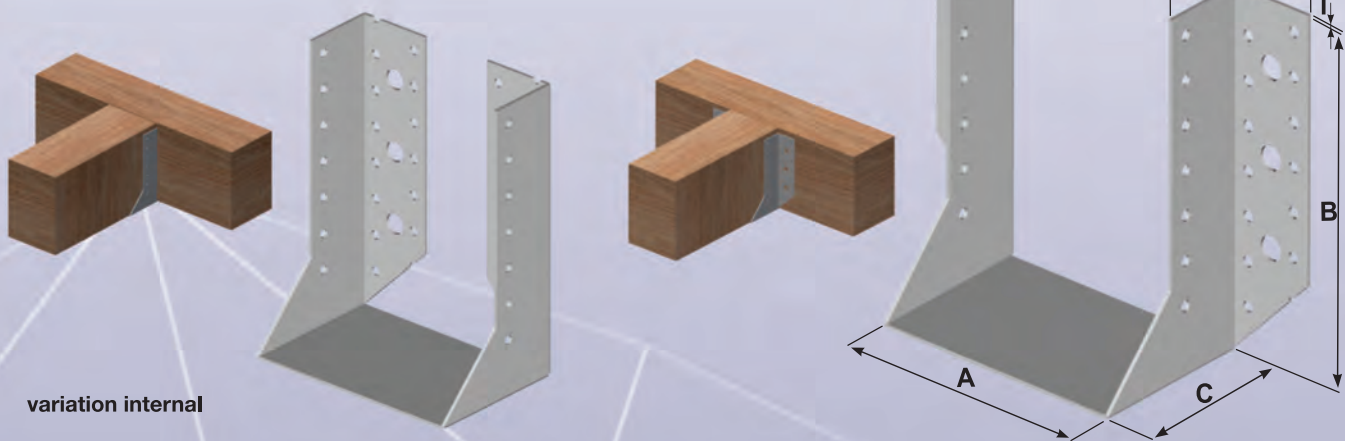
ordering example : joist hanger BV/T 11-27/B
variation: external, internal



11 - 29 JOIST HANGER BV/T - 120

Dimension	A	B	C	D	E	T
120 x 120	120	120	80	40	40	2
120 x 140	120	140	80	40	40	2
120 x 160	120	160	80	40	40	2
120 x 200	120	200	80	40	40	2
120 x 240	120	240	80	40	40	2

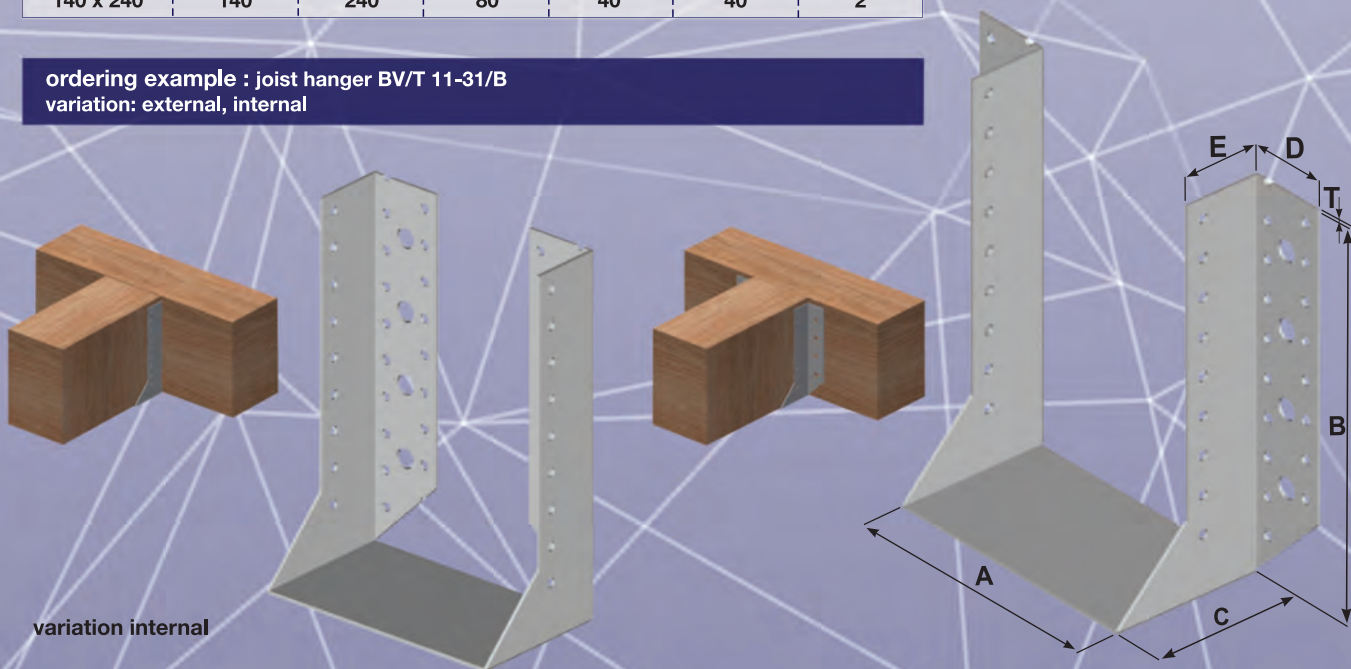
ordering example : joist hanger BV/T 11-29/B
variation: external, internal



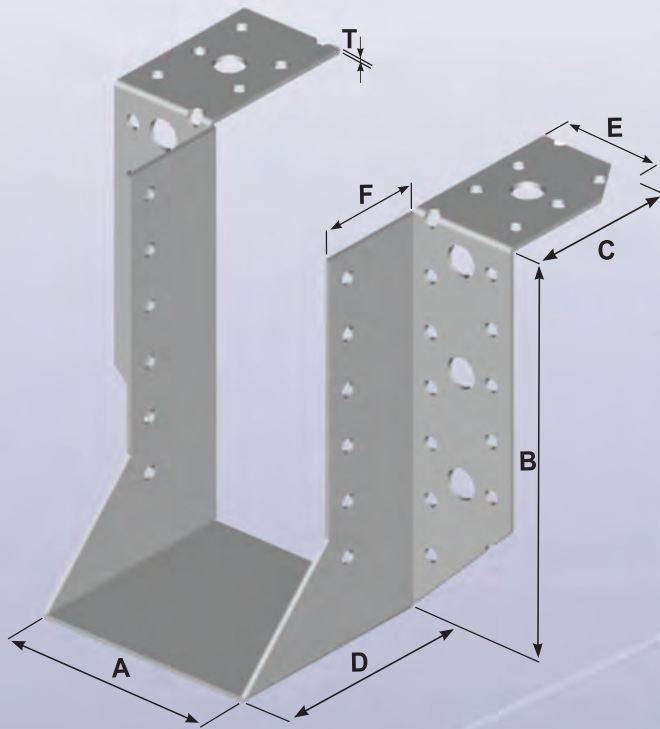
11 - 31 JOIST HANGER BV/T - 140

Dimension	A	B	C	D	E	T
140 x 140	140	140	80	40	40	2
140 x 160	140	160	80	40	40	2
140 x 200	140	200	80	40	40	2
140 x 240	140	240	80	40	40	2

ordering example : joist hanger BV/T 11-31/B
variation: external, internal

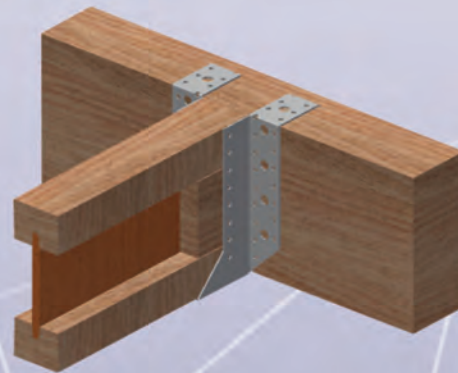


JOIST HANGER BV/T WITH UPPER FLEX 11 - 32



width A = 40, 50, 60, 70, 80, 90, 100, 120, 140 mm
 height B = 160, 200, 240, 300, 360, 400 mm
 rameno C = 60 mm
 dimension D = 80 mm
 dimension E = 40 mm
 dimension F = 40 mm
 material thickness T = 2 mm

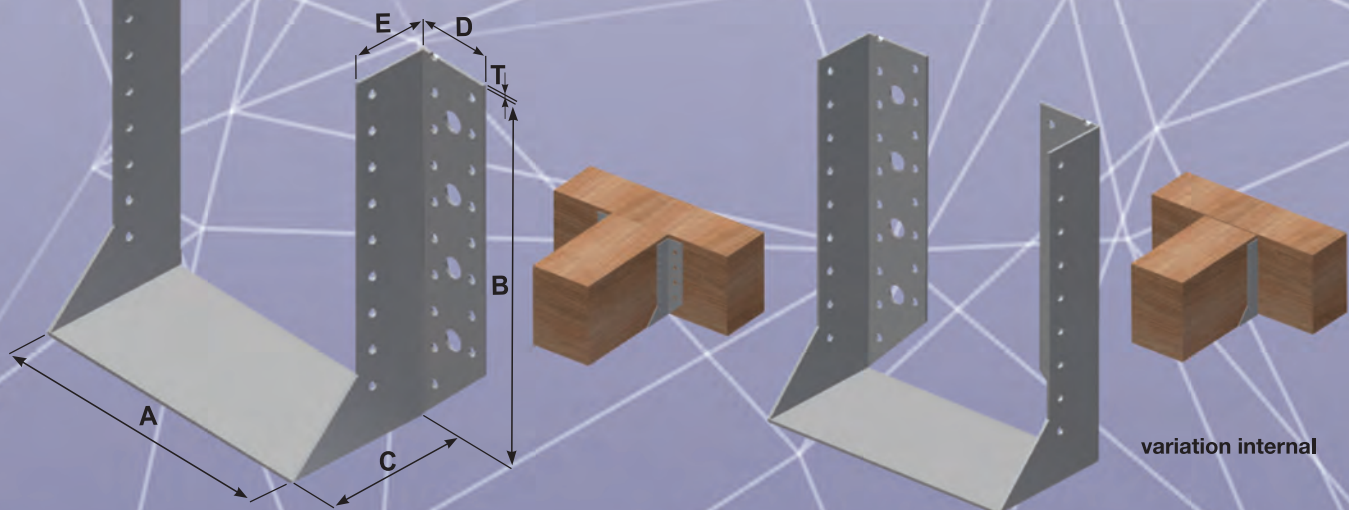
ordering example :
 joist hanger BV/T 11-32 / A x B x C



JOIST HANGER BV/T - 160 11 - 33

Dimension	A	B	C	D	E	T
160 x 140	160	140	80	40	40	2
160 x 160	160	160	80	40	40	2
160 x 200	160	200	80	40	40	2
160 x 240	160	240	80	40	40	2
160 x 280	160	280	80	40	40	2

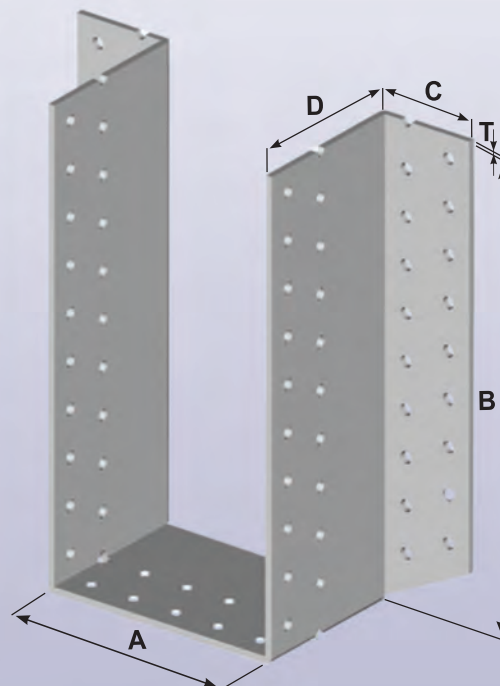
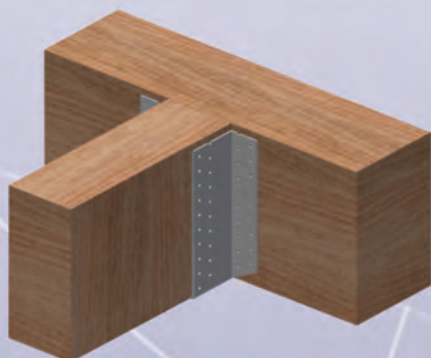
ordering example : joist hanger BV/T 11-33/B
 variation: external, internal



11 - 40 JOIST HANGER BV/T

for width A = 60, 80, 100, 120, 140, 160, 180, 200 mm
height B = 120, 140, 160, 180, 200, 220, 240, 260, 280, 300, 320 mm
for width A = 90 mm
height B = 125, 145, 165, 185, 205, 225, 245, 265, 285, 305, 325 mm
dimension C = 40 mm
dimension D = 70 mm
material thickness T = 3 mm

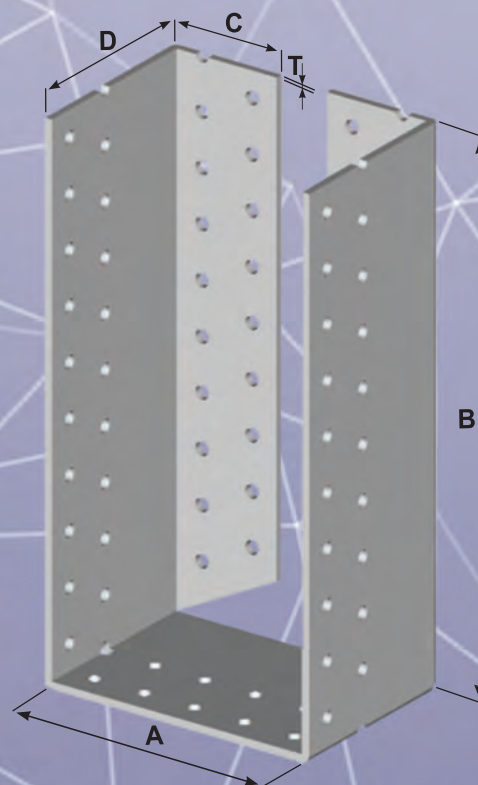
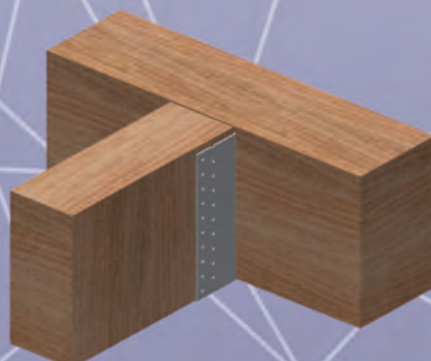
ordering example :
joist hanger BV/T 11- 40 / A x B



11 - 41 JOIST HANGER BV/T

for width A = 80, 100, 120, 140, 160, 180, 200 mm
height B = 120, 140, 160, 180, 200, 220, 240, 260, 280, 300, 320 mm
for width A = 90 mm
height B = 125, 145, 165, 185, 205, 225, 245, 265, 285, 305, 325 mm
dimension C = 40 mm
dimension D = 70 mm
material thickness T = 3 mm

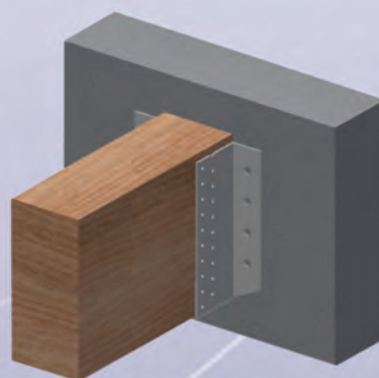
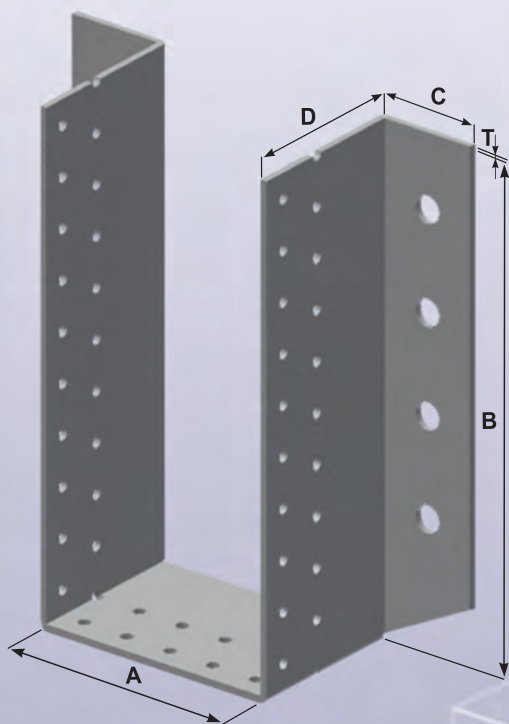
ordering example :
joist hanger BV/T 11- 41 / A x B



JOIST HANGER BV/T 11 - 42

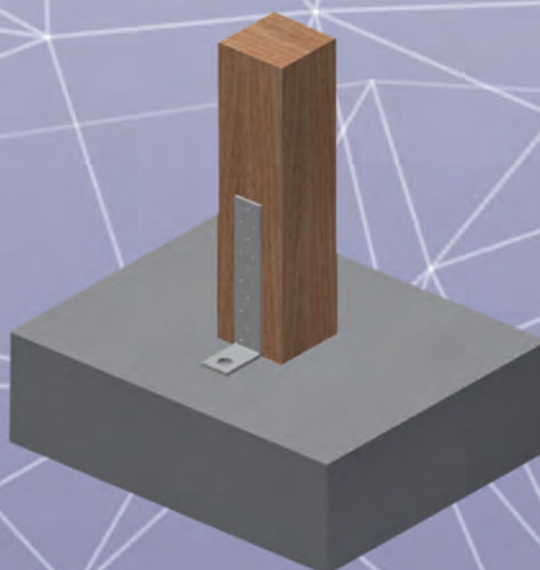
for width A = 60, 80, 100, 120, 140, 160, 180, 200 mm
 height B = 120, 140, 160, 180, 200, 220, 240, 260, 280, 300, 320 mm
 for width A = 90 mm
 height B = 125, 145, 165, 185, 205, 225, 245, 265, 285, 305, 325 mm
 dimension C = 40 mm
 dimension D = 70 mm
 material thickness T = 3 mm

ordering example :
 joist hanger BV/T 11- 42 / A x B



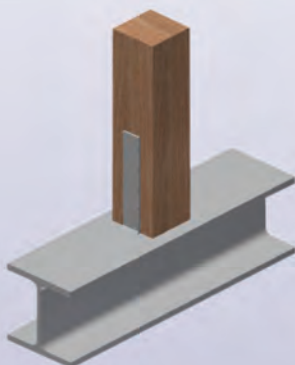
ANCHOR ELEMENT BV/KP 12 - 01

Dimension	W	L	L1	T
	40	205	65	5



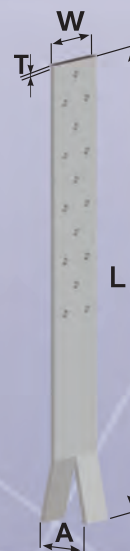
12 - 02 ANCHOR ELEMENT BV/KP

Dimension	W	L	T
	40	200	5



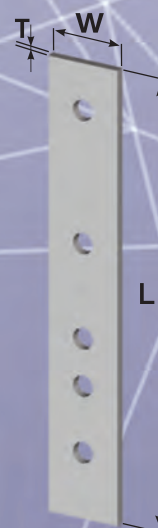
12 - 03 ANCHOR ELEMENT BV/KP

Dimension	W	L	A	T
	40	350	25	5



12 - 04 ANCHOR ELEMENT BV/KP

Dimension	W	L	T
	40	240	5

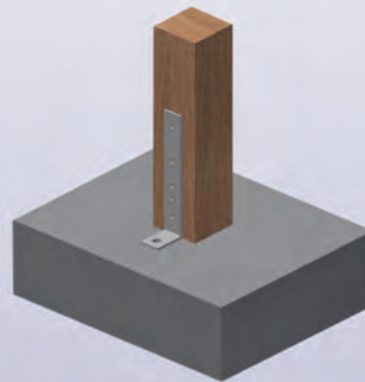


ANCHOR ELEMENT BV/KP

12 - 05

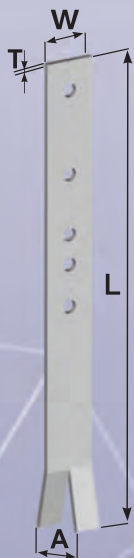


Dimension	W	L	L1	T
	40	245	65	5



ANCHOR ELEMENT BV/KP

12 - 06

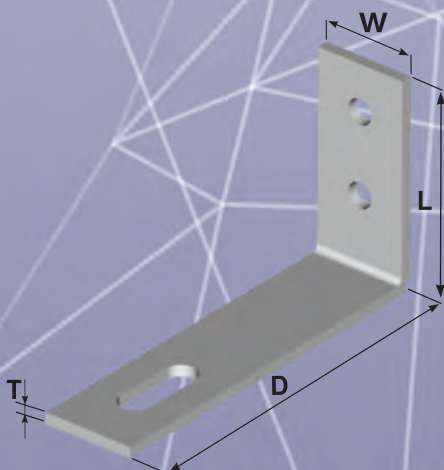


Dimension	W	L	A	T
	40	390	25	5



ANCHOR ELEMENT BV/KP

12 - 07



Dimension	W	L	D	T
	40	90	160	5
	40	90	300	5



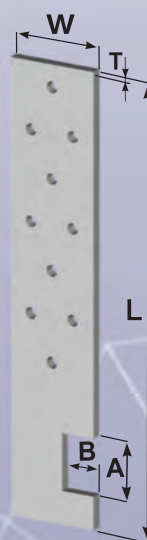
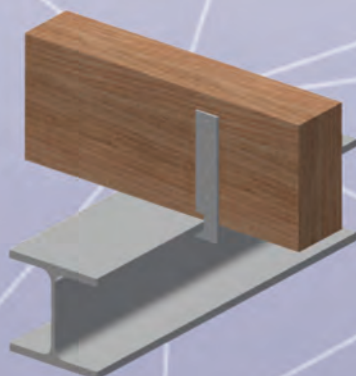
12 - 08 ANCHOR ELEMENT BV/KP

Dimension	W	L	A	B	T
	40	200	25	15	5



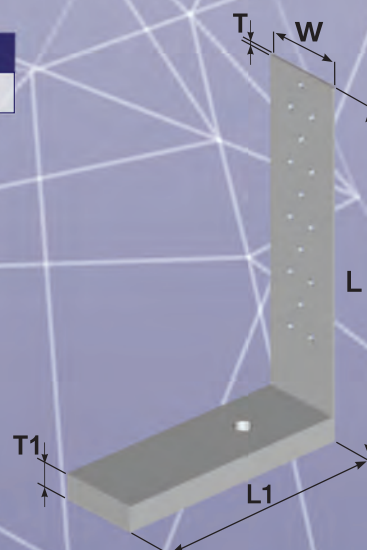
12 - 09 ANCHOR ELEMENT BV/KP

Dimension	W	L	A	B	T
	40	200	25	15	5



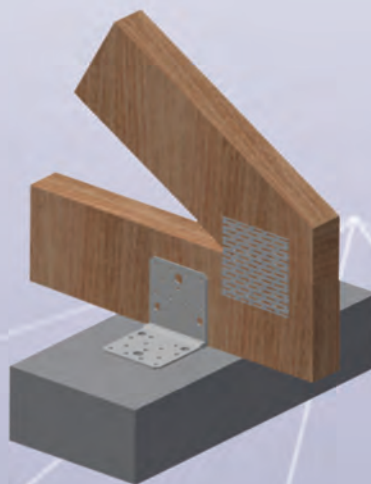
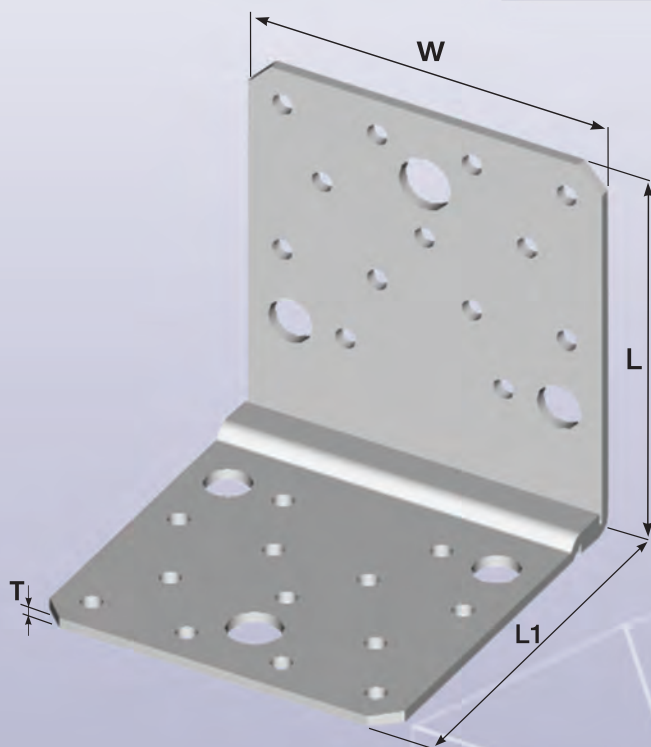
12 - 12 ANCHOR ELEMENT 60 x 240 x 175

Dimension	W	L	L1	T	T1
	60	260	175	2,5	20



MOVABLE ANCHOR BV/KP 12 - 13

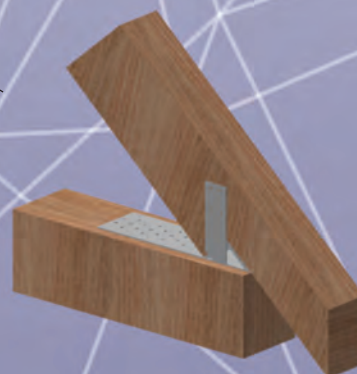
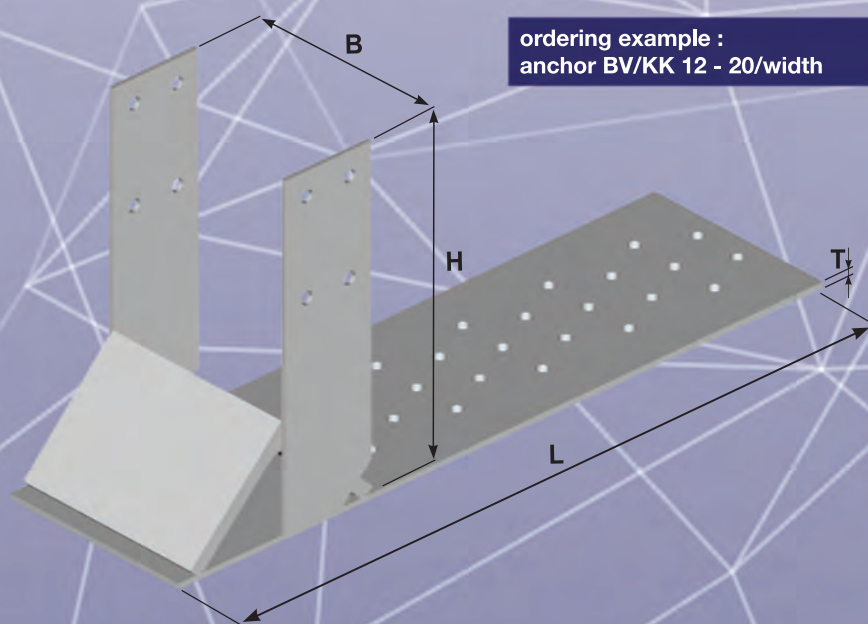
Dimension	W	L	L1	T
	90	95	95	3



ANCHOR BV/KK 12 - 20

Dimension	B	L	H	T
60	64	300	140	2,5
80	84	300	140	2,5
100	104	280	140	2,5
120	124	260	140	2,5

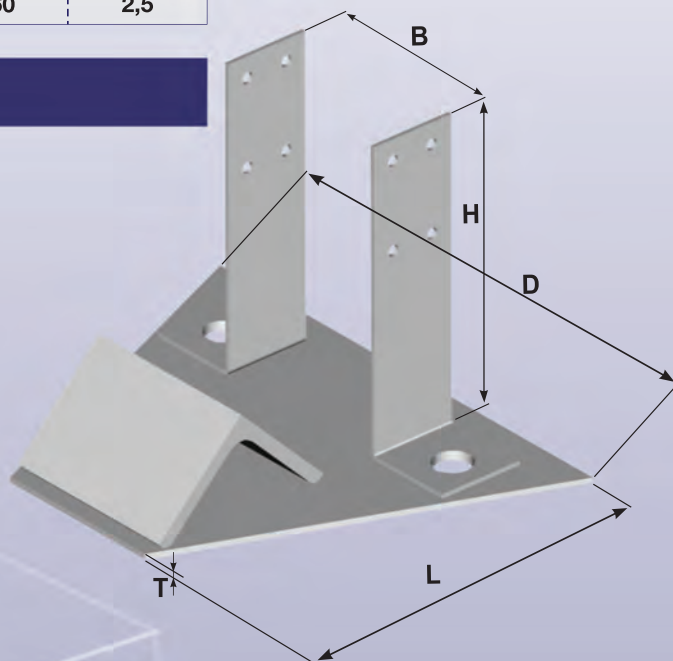
ordering example :
anchor BV/KK 12 - 20/width



12 - 21 ANCHOR BV/KK

Dimension	B	L	H	D	T
60	64	170	140	200	2,5
80	84	170	140	220	2,5
100	104	170	140	240	2,5
120	124	170	140	260	2,5

ordering example :
anchor BV/KK 12 - 21/width



12 - 30 ANCHOR BV/KP

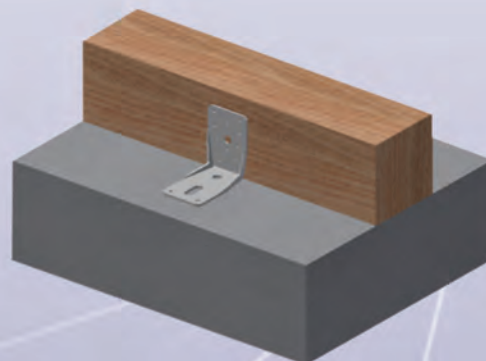
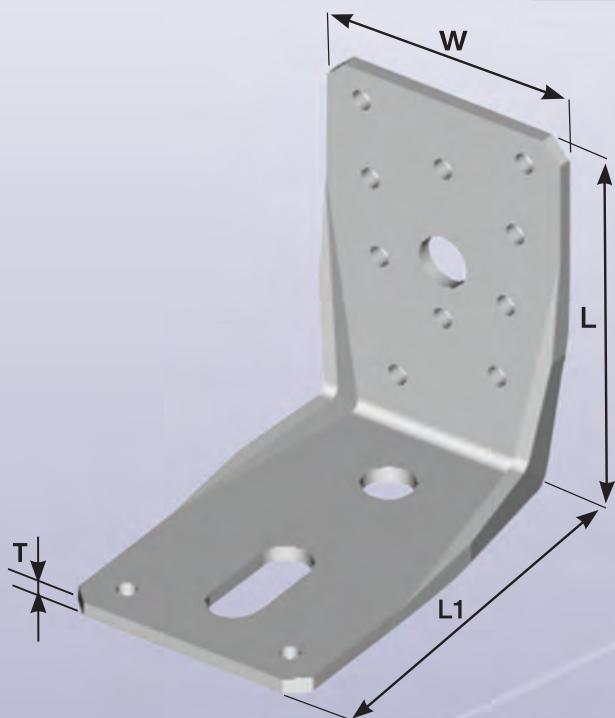
Dimension	W	H	D	T
	40	80	60	3
	40	120	60	3
	40	160	60	3
	40	200	60	3

ordering example :
anchor BV/KP 12 - 30/H



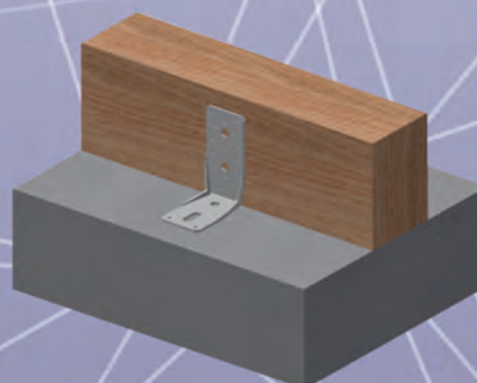
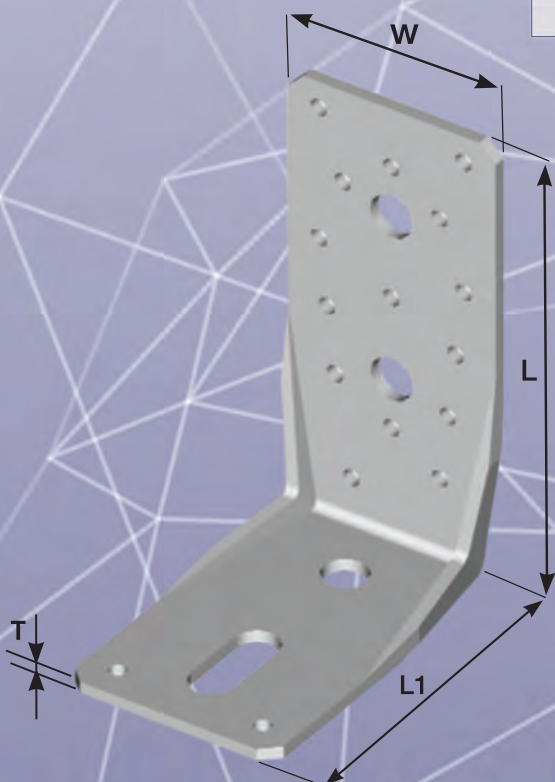
ANCHOR BV/KP 12 - 35

Dimension	W	L	L1	T
	65	95	105	4



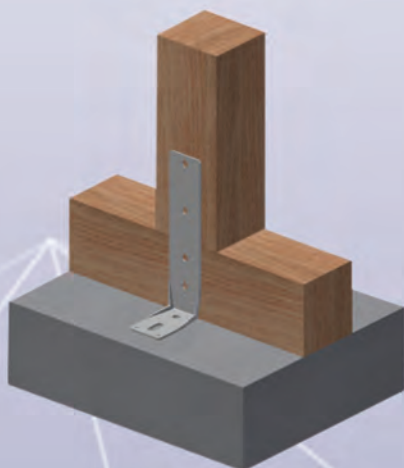
ANCHOR BV/KP 12 - 36

Dimension	W	L	L1	T
	65	135	105	4



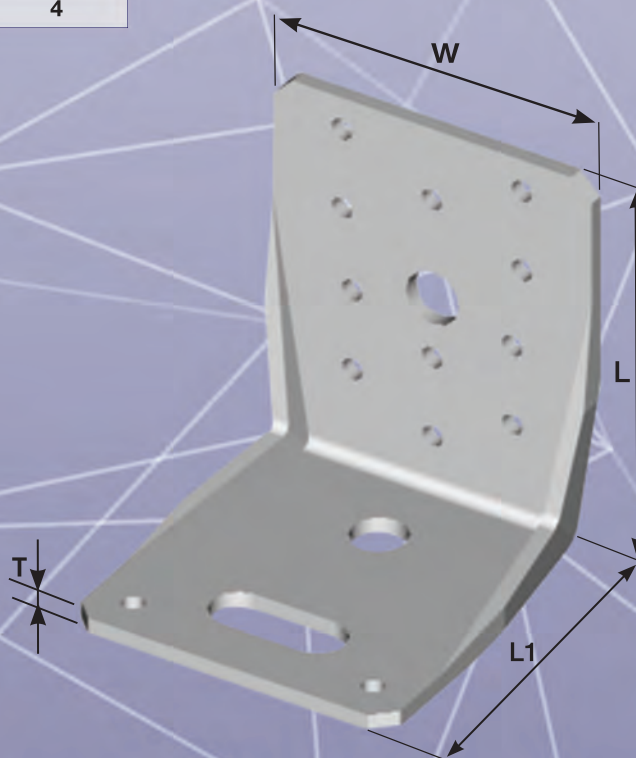
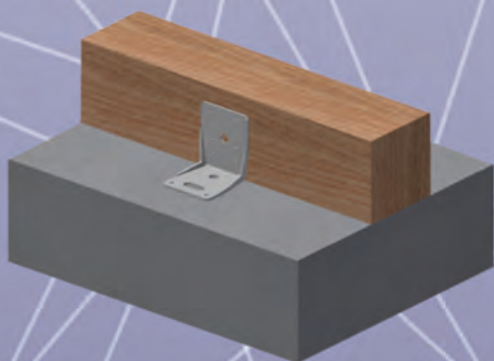
12 - 37 ANCHOR ELEMENT BV/KP

Dimension	W	L	L1	T
	65	285	105	4



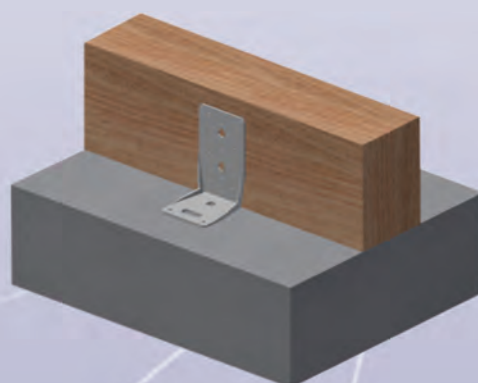
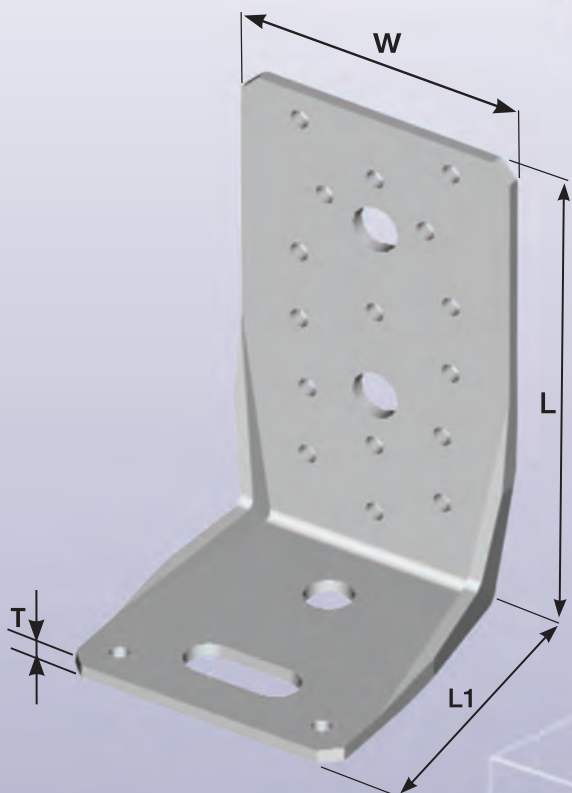
12 - 38 ANCHOR ELEMENT BV/KP

Dimension	W	L	L1	T
	80	95	85	4



ANCHOR ELEMENT BV/KP 12 - 39

Dimension	W	L	L1	T
	80	135	85	4



SLIDING ANCHOR 12 - 40

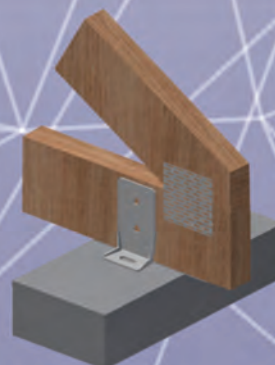
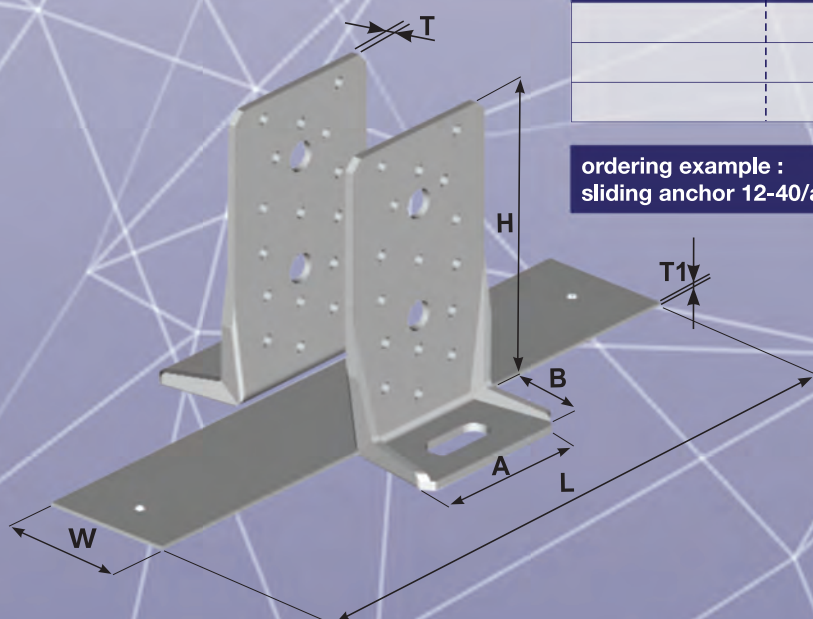
Anchor element

Dimension	A	B	H	T
	80	45	95	4
	80	45	135	4

Sliding plate

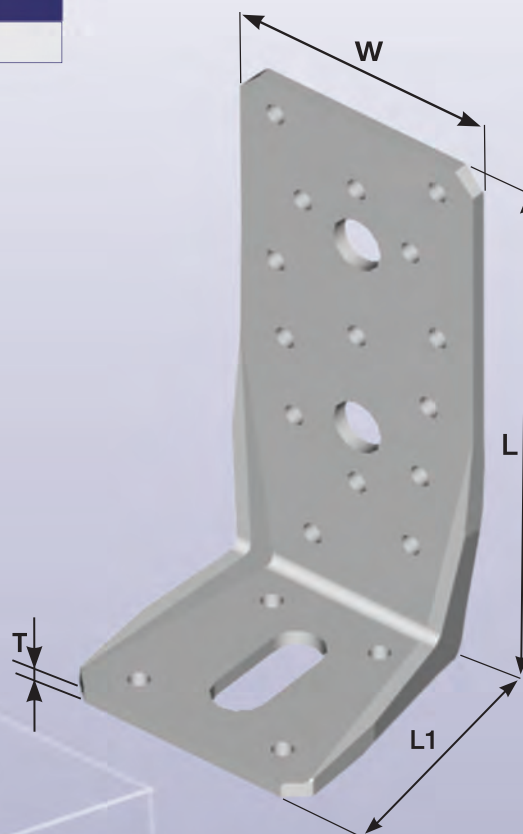
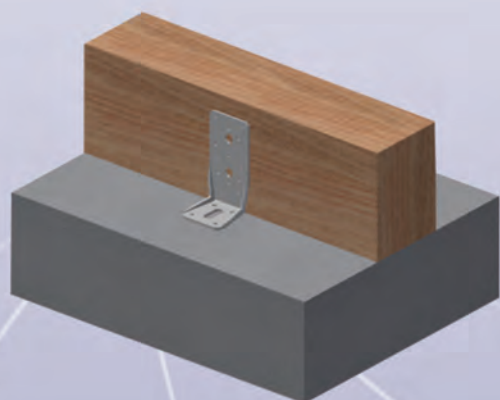
Dimension	W	L	T1
	50	300	2
	60	300	2
	80	300	2

ordering example :
sliding anchor 12-40/anchor element height H, sliding plate width W



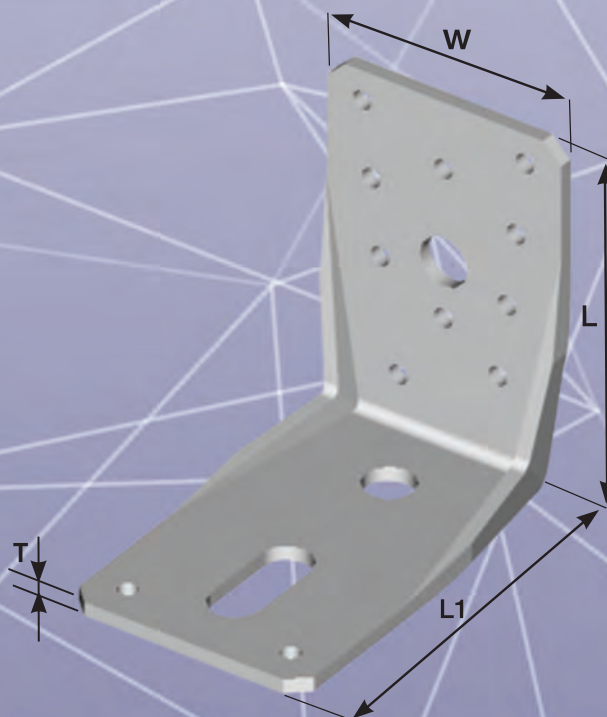
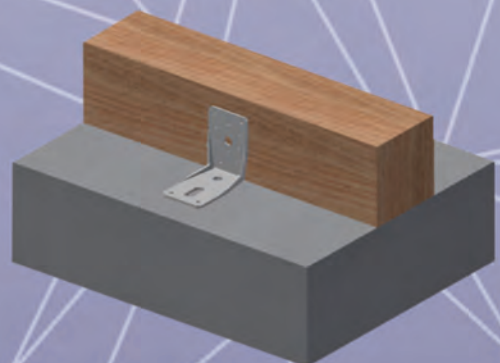
12 - 41 ANCHOR ELEMENT BV/KP

Dimension	W	L	L1	T
	65	135	65	3

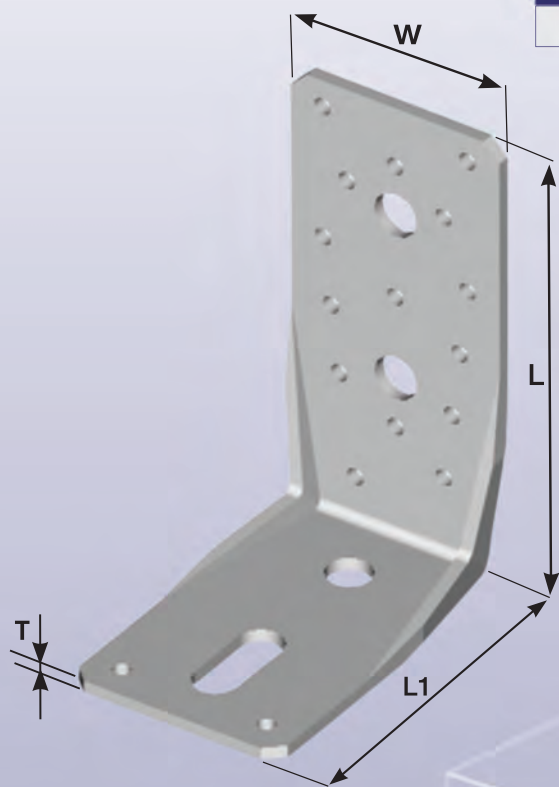


12 - 42 ANCHOR ELEMENT BV/KP

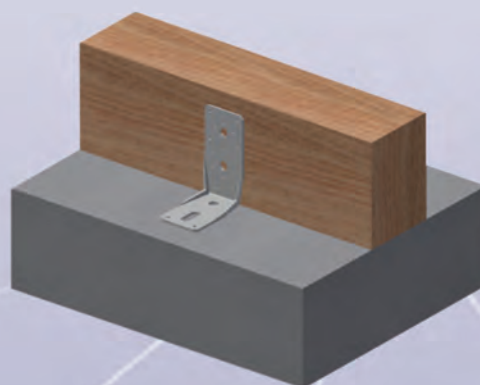
Dimension	W	L	L1	T
	65	95	105	3



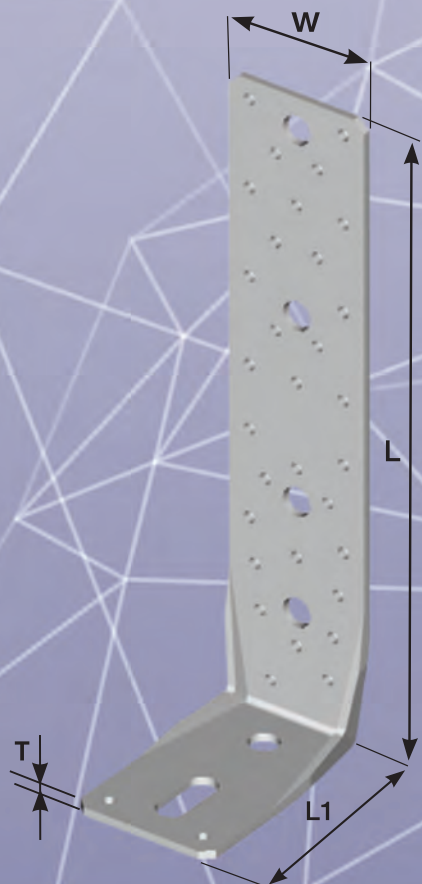
ANCHOR ELEMENT BV/KP 12 - 43



Dimension	W	L	L1	T
	65	135	105	3



ANCHOR ELEMENT BV/KP 12 - 44

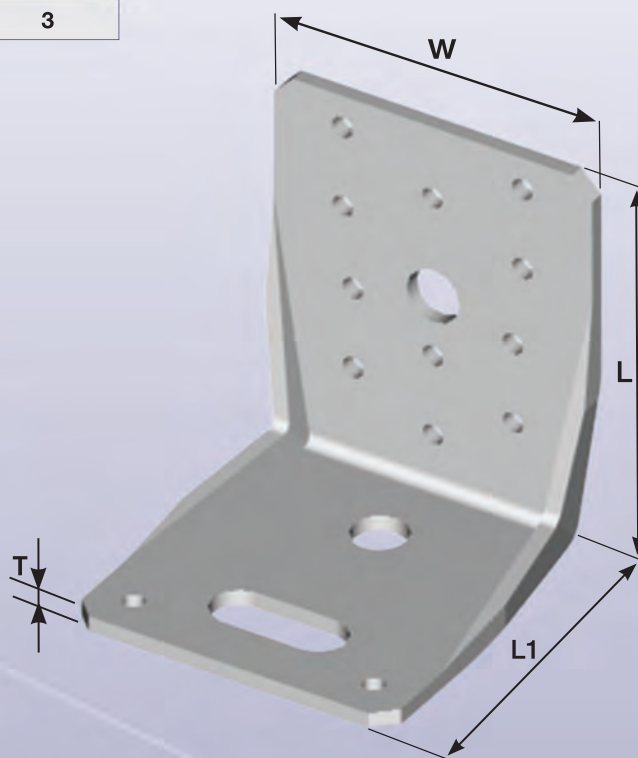
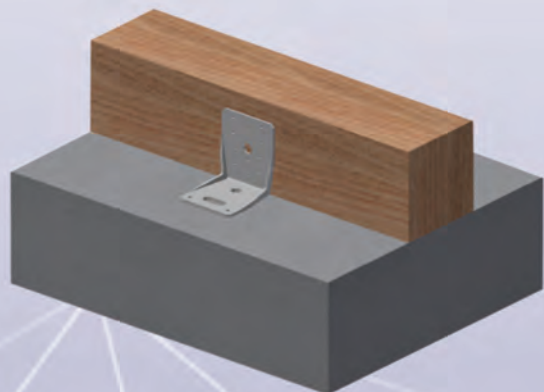


Dimension	W	L	L1	T
	65	285	105	3



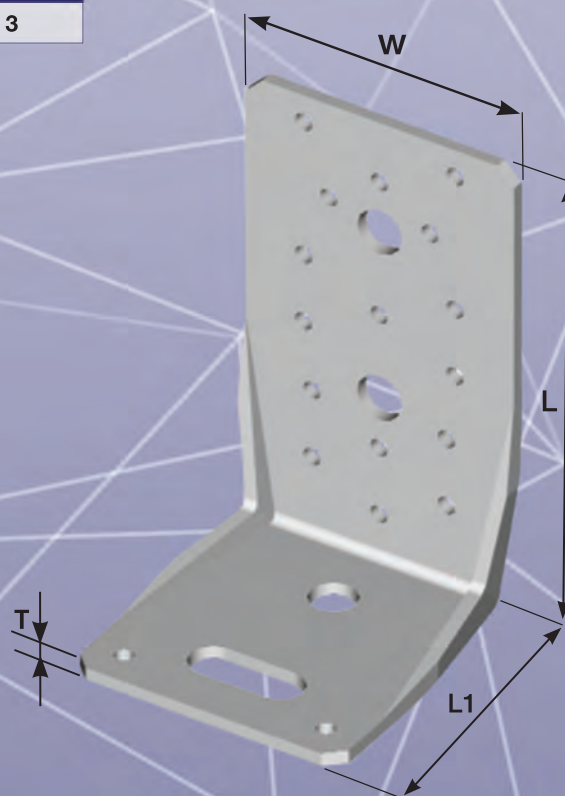
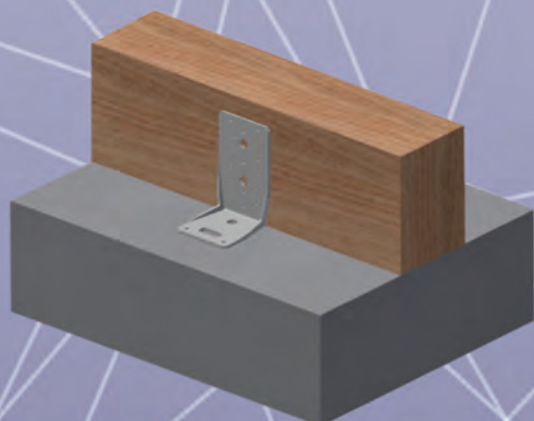
12 - 45 ANCHOR ELEMENT BV/KP

Dimension	W	L	L1	T
	80	95	85	3

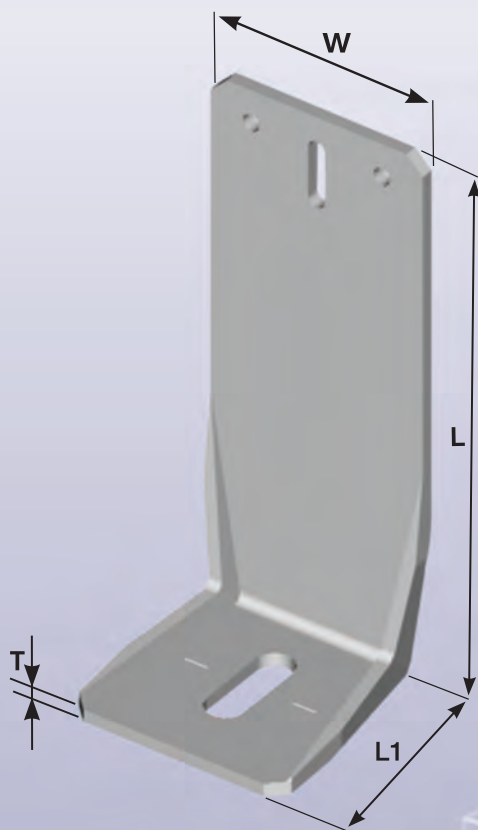


12 - 46 ANCHOR ELEMENT BV/KP

Dimension	W	L	L1	T
	80	135	85	3



ANCHOR ELEMENT BV/KP 12 - 47

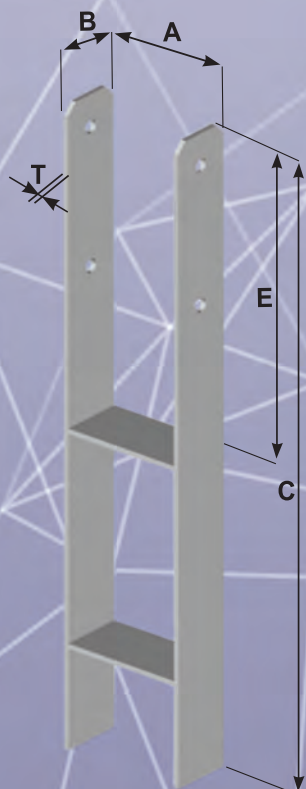


length L = 65, 80, 100, 120, 140, 160, 180, 200, 220, 240, 260, 280, 300 mm
 length L1 = 65 mm
 width W = 65 mm
 material thickness T = 3 mm

ordering example :
 anchor element BV/KP 12-47/L



ANCHOR ELEMENT BV/KP 12 - 51

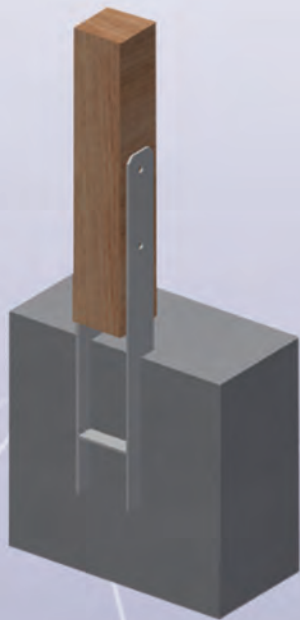


Dimension	A	B	C	E	T
	115	60	600	300	5



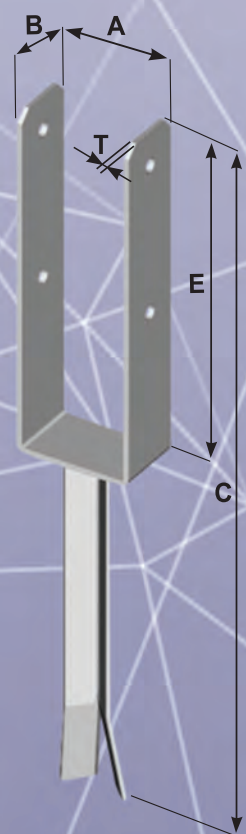
12 - 52 ANCHOR ELEMENT BV/KP

Dimension	A	B	C	E	T
	90	60	600	300	5

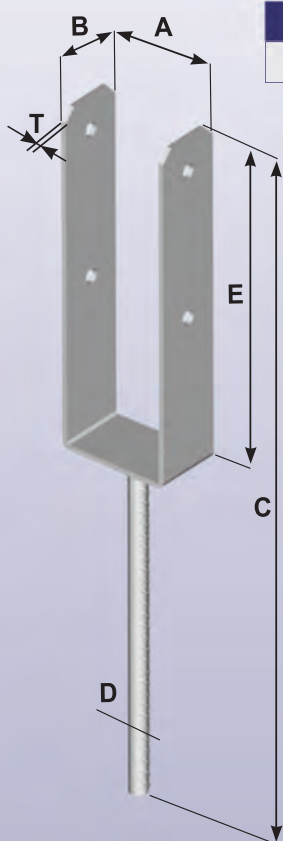


12 - 53 ANCHOR ELEMENT BV/KP

Dimension	A	B	C	E	T
	90	60	600	300	5



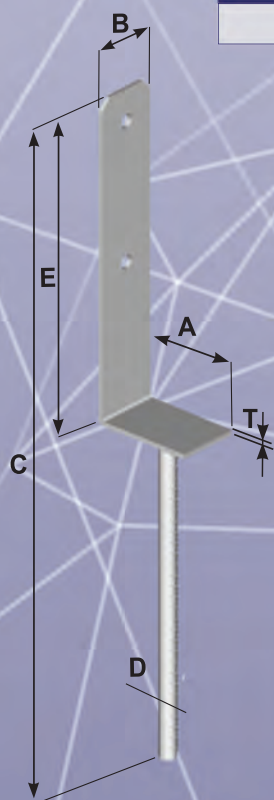
ANCHOR ELEMENT BV/KP 12 - 54



Dimension	A	B	C	D	E	T
	90	60	600	16	300	5



ANCHOR ELEMENT BV/KP 12 - 55



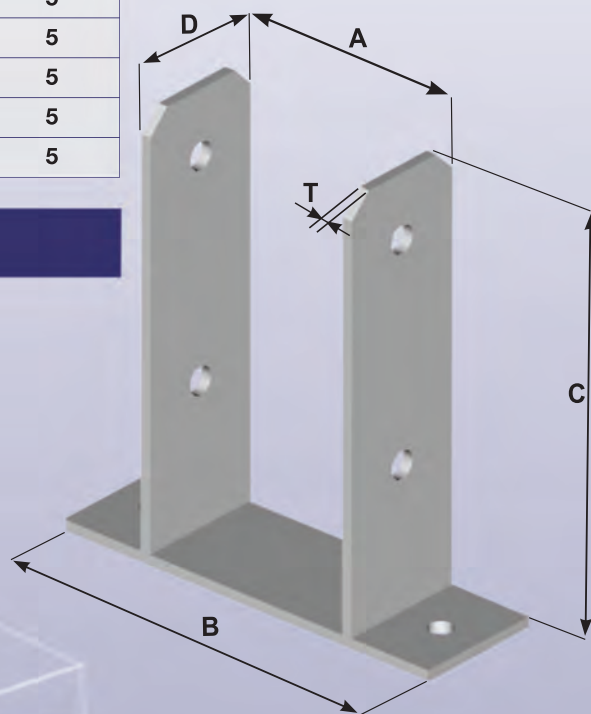
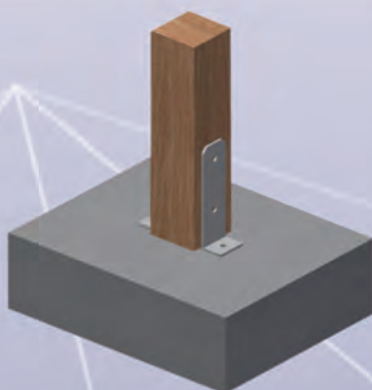
Dimension	A	B	C	D	E	T
	90	60	600	16	300	5



12 - 60 ANCHOR ELEMENT BV/KP

Dimension	A	B	C	D	T
60	60	150	200	60	5
70	70	160	200	60	5
80	80	170	200	60	5
90	90	180	200	60	5
100	100	190	200	60	5
120	120	210	200	60	5
140	140	230	200	60	5

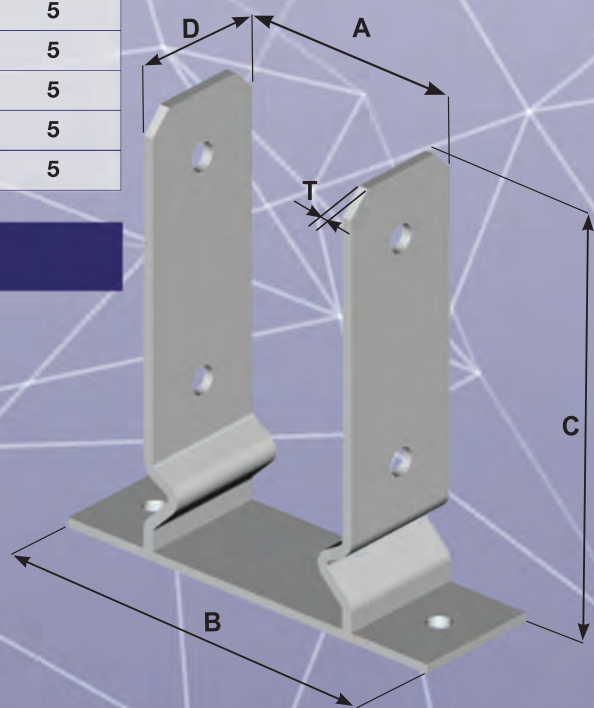
ordering example :
anchor element BV/KP 12-60/A



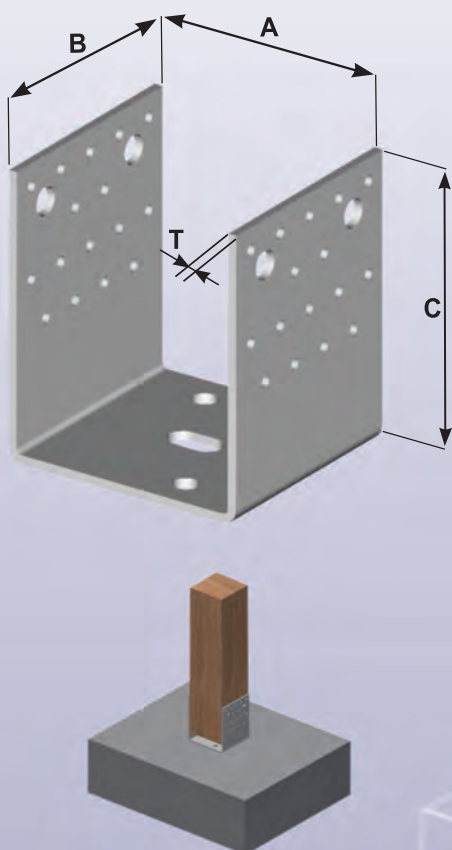
12 - 61 ANCHOR ELEMENT BV/KP

Dimension	A	B	C	D	T
60	60	150	200	60	5
70	70	160	200	60	5
80	80	170	200	60	5
90	90	180	200	60	5
100	100	190	200	60	5
120	120	210	200	60	5
140	140	230	200	60	5

ordering example :
anchor element BV/KP 12-61/A



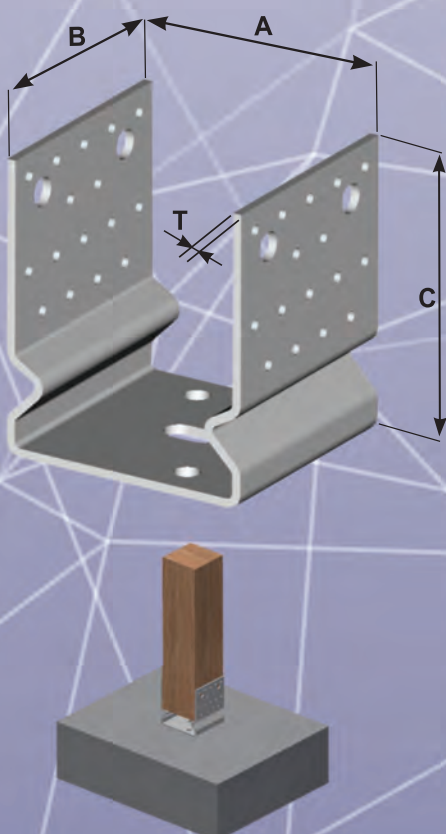
ANCHOR ELEMENT BV/KP 12 - 62



Dimension	A	B	C	T
60x60	61	60	125	4
60x80	61	80	125	4
70x60	71	60	125	4
70x80	71	80	125	4
80x60	81	60	125	4
80x80	81	80	125	4
80x100	81	100	125	4
90x80	91	80	125	4
90x100	91	100	125	4
90x120	91	120	125	4
100x80	101	80	125	4
100x100	101	100	125	4
100x120	101	120	125	4
120x100	121	100	125	4
120x120	121	120	125	4
140x100	141	100	125	4
140x120	141	120	125	4

ordering example :
anchor element BV/KP 12-62/AxB

ANCHOR ELEMENT BV/KP 12 - 63

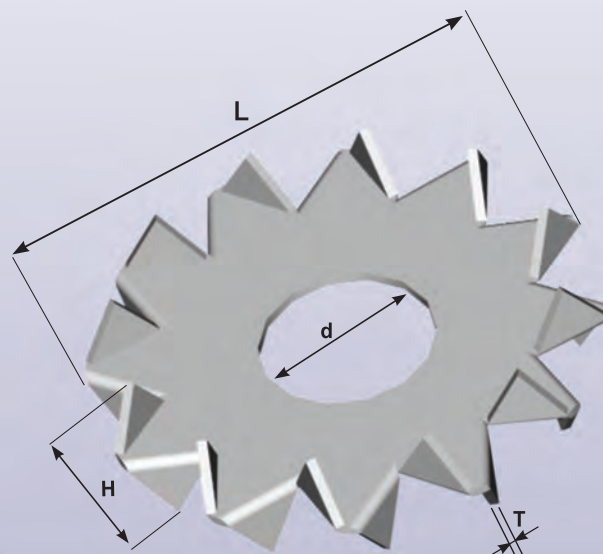
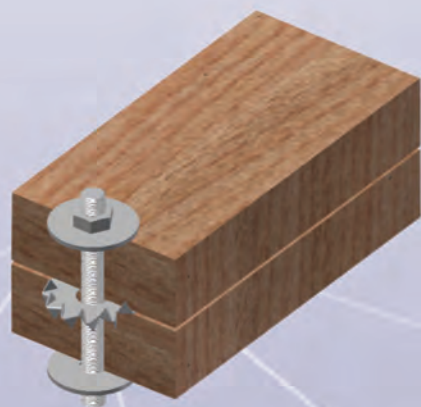


Dimension	A	B	C	T
60x60	61	60	125	4
60x80	61	80	125	4
70x60	71	60	125	4
70x80	71	80	125	4
80x60	81	60	125	4
80x80	81	80	125	4
80x100	81	100	125	4
90x80	91	80	125	4
90x100	91	100	125	4
90x120	91	120	125	4
100x80	101	80	125	4
100x100	101	100	125	4
100x120	101	120	125	4
120x100	121	100	125	4
120x120	121	120	125	4
140x100	141	100	125	4
140x120	141	120	125	4

ordering example :
anchor element BV/KP 12-63/AxB

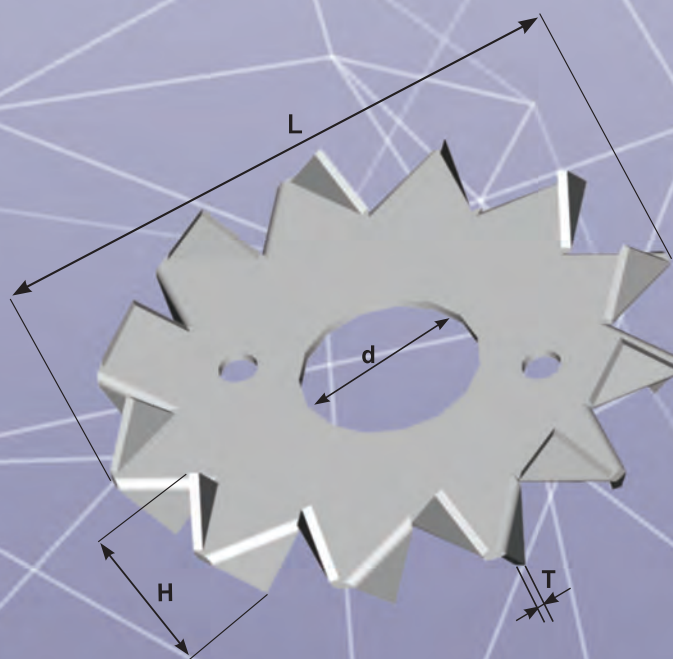
13 - 01 PRESS-IN DOWEL 50/17

Dimension	L	d	H	T
	50	17	13	1



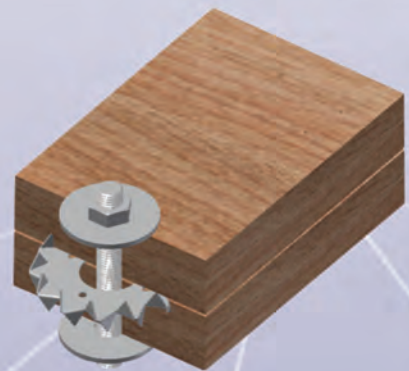
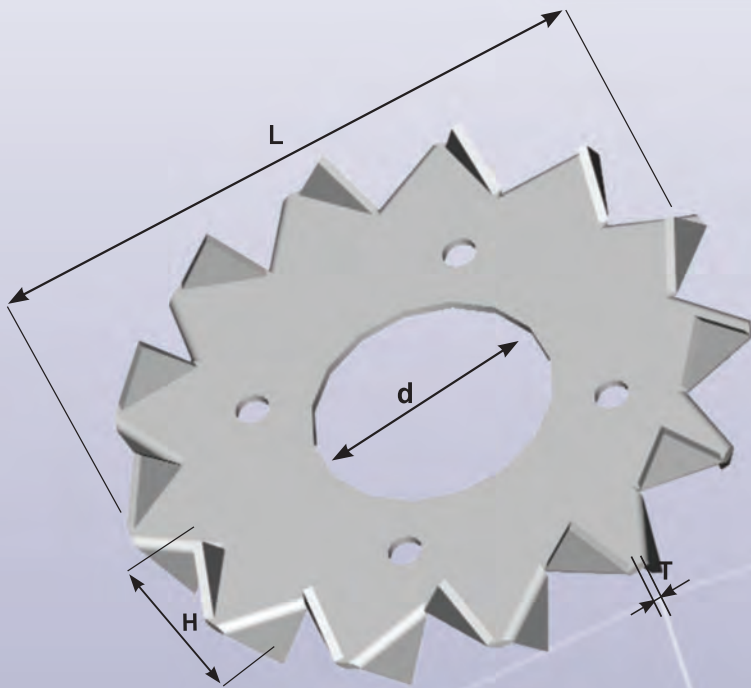
13 - 02 PRESS-IN DOWEL 75/26

Dimension	L	d	H	T
	75	26	19,5	1.25



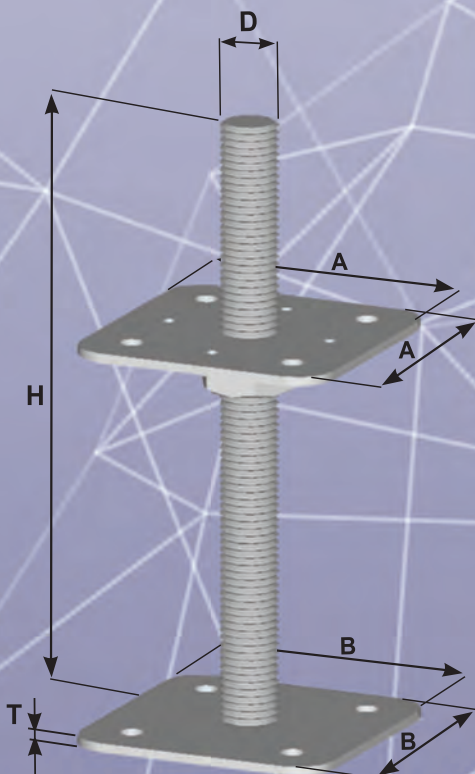
PRESS-IN DOWEL 95/36 13 - 03

Dimension	L	d	H	T
	95	36	24	1,5



SNUG OF THE WOODEN PILLAR BV/P 14 - 01

Dimension	A	B	D	H	T
	110	110	M24	200	4
	110	110	M24	250	4
	110	110	M24	330	4
	80	110	M24	200	4
	80	110	M24	250	4
	80	110	M24	330	4



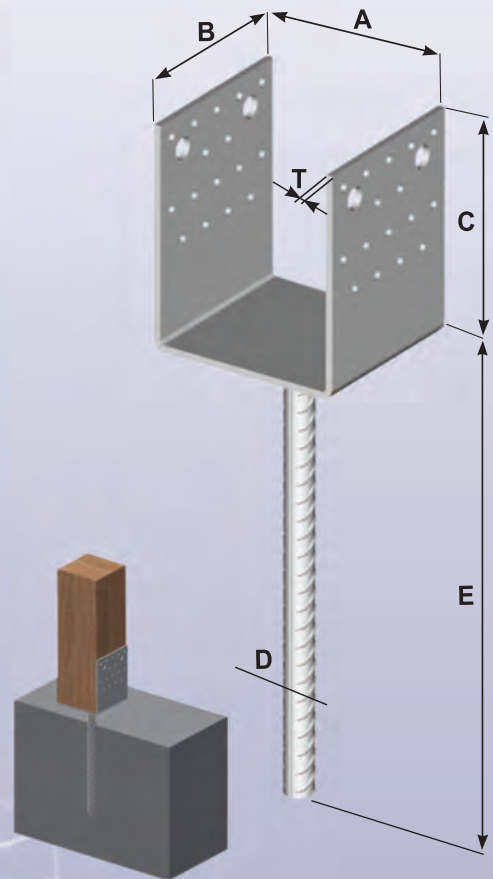
variation : welded nut, two rotary nuts
 ordering example : snug of the wooden pillar BV/P 14-01/H - variation



14 - 02 ANCHOR COLUMN SHOE BV/P

Dimension	A	B	C	D	E	T
60x60	61	60	125	16	250	4
60x80	61	80	125	16	250	4
70x60	71	60	125	16	250	4
70x80	71	80	125	16	250	4
80x60	81	60	125	16	250	4
80x80	81	80	125	16	250	4
80x100	81	100	125	16	250	4
90x80	91	80	125	16	250	4
90x100	91	100	125	16	250	4
90x120	91	120	125	16	250	4
100x80	101	80	125	16	250	4
100x100	101	100	125	16	250	4
100x120	101	120	125	20	250	4
120x100	121	100	125	20	250	4
120x120	121	120	125	20	250	4
140x100	141	100	125	20	250	4
140x120	141	120	125	20	250	4

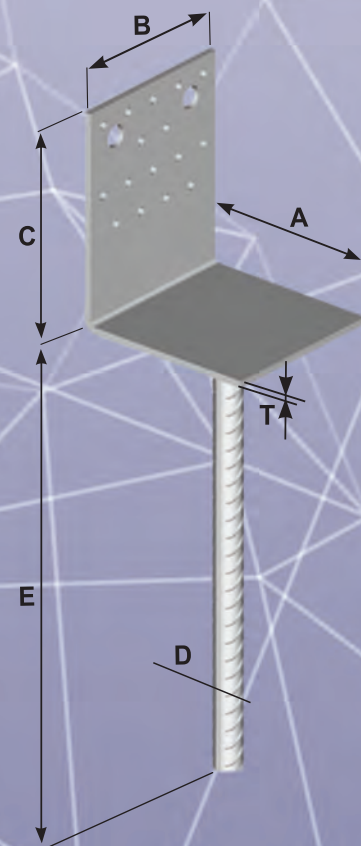
ordering example :
anchor column shoe BV/P 14-02/AxB



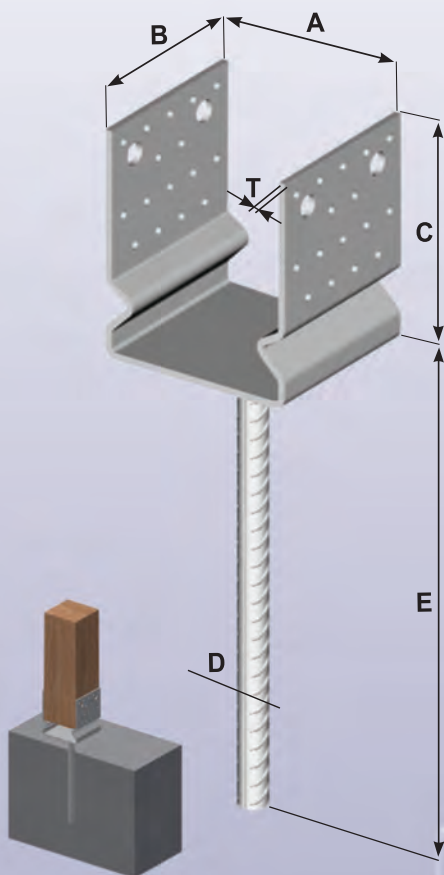
14 - 03 ANCHOR COLUMN SHOE BV/P

Dimension	A	B	C	D	E	T
80x80	81	80	125	16	250	4
100x80	101	80	125	16	250	4
100x100	101	100	125	16	250	4
120x100	121	100	125	20	250	4
120x120	121	120	125	20	250	4

ordering example :
anchor column shoe BV/P 14-03/AxB



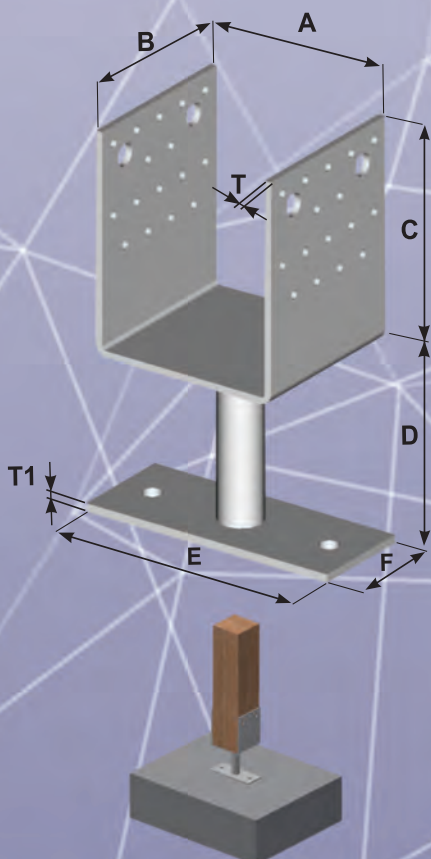
ANCHOR COLUMN SHOE BV/P 14 - 04



Dimension	A	B	C	D	E	T
60x60	61	60	125	16	250	4
60x80	61	80	125	16	250	4
70x60	71	60	125	16	250	4
70x80	71	80	125	16	250	4
80x60	81	60	125	16	250	4
80x80	81	80	125	16	250	4
80x100	81	100	125	16	250	4
90x80	91	80	125	16	250	4
90x100	91	100	125	16	250	4
90x120	91	120	125	16	250	4
100x80	101	80	125	16	250	4
100x100	101	100	125	16	250	4
100x120	101	120	125	20	250	4
120x100	121	100	125	20	250	4
120x120	121	120	125	20	250	4
140x100	141	100	125	20	250	4
140x120	141	120	125	20	250	4

ordering example :
anchor column shoe BV/P 14-04/AxB

ANCHOR COLUMN SHOE BV/P 14 - 05



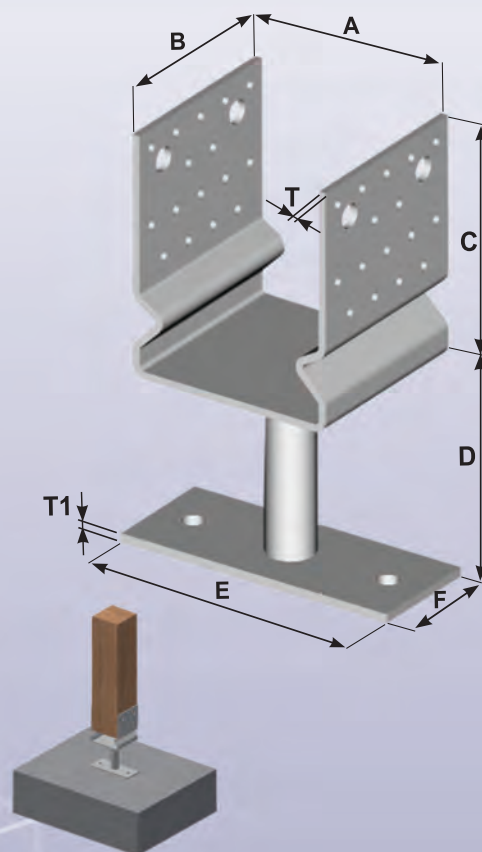
Dimension	A	B	C	D	E	F	T	T1
60x60	61	60	125	100	150	60	4	5
60x80	61	80	125	100	150	60	4	5
70x60	71	60	125	100	150	60	4	5
70x80	71	80	125	100	150	60	4	5
80x60	81	60	125	100	150	60	4	5
80x80	81	80	125	100	150	60	4	5
80x100	81	100	125	100	150	60	4	5
90x80	91	80	125	100	150	60	4	5
90x100	91	100	125	100	150	60	4	5
90x120	91	120	125	100	150	60	4	5
100x80	101	80	125	100	150	60	4	5
100x100	101	100	125	100	150	60	4	5
100x120	101	120	125	100	150	60	4	5
120x100	121	100	125	100	150	60	4	5
120x120	121	120	125	100	150	60	4	5
140x100	141	100	125	100	150	60	4	5
140x120	141	120	125	100	150	60	4	5

ordering example :
anchor column shoe BV/P 14-05/AxB

14 - 06 ANCHOR COLUMN SHOE BV/P

Dimension	A	B	C	D	E	F	T	T1
60x60	61	60	125	100	150	60	4	5
60x80	61	80	125	100	150	60	4	5
70x60	71	60	125	100	150	60	4	5
70x80	71	80	125	100	150	60	4	5
80x60	81	60	125	100	150	60	4	5
80x80	81	80	125	100	150	60	4	5
80x100	81	100	125	100	150	60	4	5
90x80	91	80	125	100	150	60	4	5
90x100	91	100	125	100	150	60	4	5
90x120	91	120	125	100	150	60	4	5
100x80	101	80	125	100	150	60	4	5
100x100	101	100	125	100	150	60	4	5
100x120	101	120	125	100	150	60	4	5
120x100	121	100	125	100	150	60	4	5
120x120	121	120	125	100	150	60	4	5
140x100	141	100	125	100	150	60	4	5
140x120	141	120	125	100	150	60	4	5

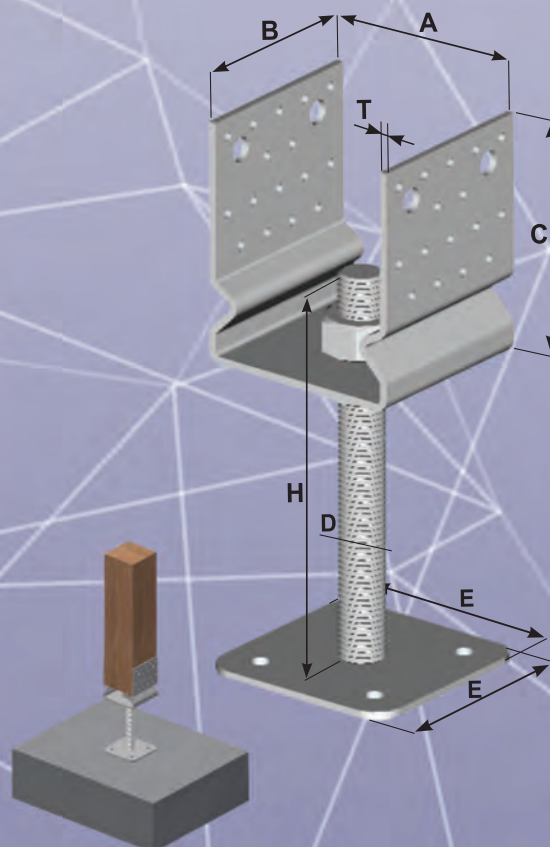
ordering example :
anchor column shoe BV/P 14-06/AxB



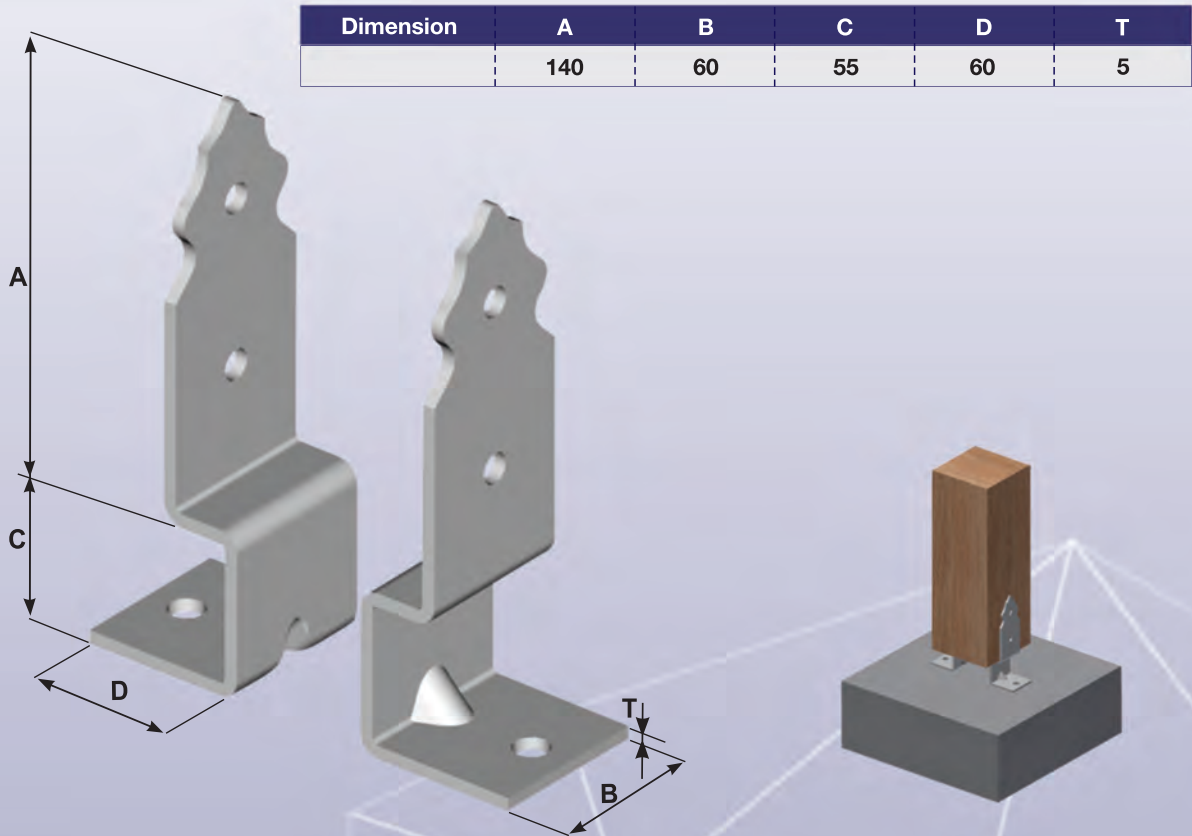
14 - 07 ANCHOR COLUMN SHOE BV/P

Dimension	A	B	C	D	H	E	T
60x60	61	60	125	M24	200	110	4
60x80	61	80	125	M24	200	110	4
70x60	71	60	125	M24	200	110	4
70x80	71	80	125	M24	200	110	4
80x60	81	60	125	M24	200	110	4
80x80	81	80	125	M24	200	110	4
80x100	81	100	125	M24	200	110	4
90x80	91	80	125	M24	200	110	4
90x100	91	100	125	M24	200	110	4
90x120	91	120	125	M24	200	110	4
100x80	101	80	125	M24	200	110	4
100x100	101	100	125	M24	200	110	4
100x120	101	120	125	M24	200	110	4
120x100	121	100	125	M24	200	110	4
120x120	121	120	125	M24	200	110	4
140x100	141	100	125	M24	200	110	4
140x120	141	120	125	M24	200	110	4

ordering example :
anchor column shoe BV/P 14-07/AxB

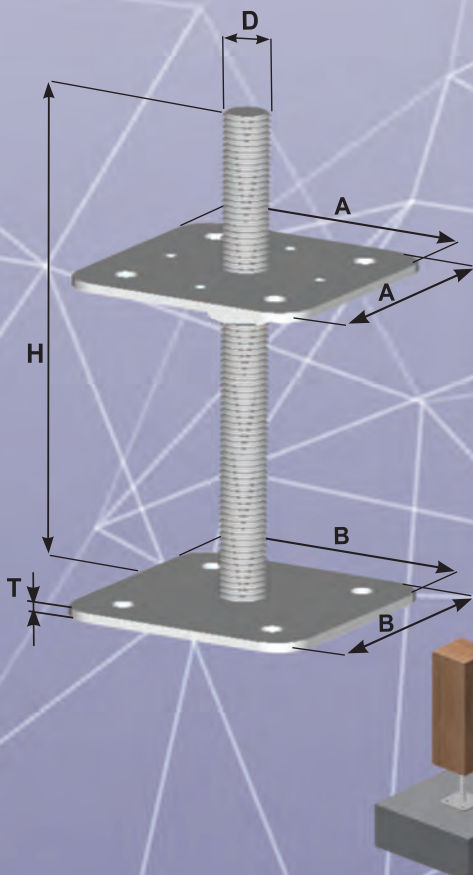


ANCHOR COLUMN SHOE BV/P 14 - 08



Dimension	A	B	C	D	T
	140	60	55	60	5

COLUMN SHOE OF THE WOODEN PILLAR BV/P 14 - 09



Dimension	A	B	D	H	T
	110	110	M20	165	4
	110	110	M20	200	4
	110	110	M20	250	4
	110	110	M20	330	4
	80	110	M20	165	4
	80	110	M20	200	4
	80	110	M20	250	4
	80	110	M20	330	4
	80	80	M20	165	4
	80	80	M20	200	4
	80	80	M20	250	4
	80	80	M20	330	4

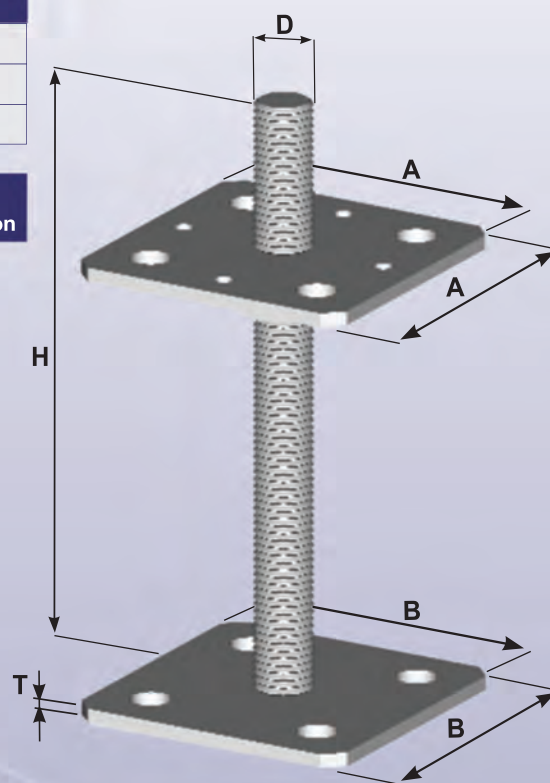
variation : welded nut, two rotary nuts
 ordering example : column shoe of the wooden pillar BV/P 14-09/H - variation

14 - 10 COLUMN SHOE OF THE WOODEN PILLAR BV/P

Dimension	A	B	D	H	T
	80	80	M16	100	4
	80	80	M16	165	4
	80	80	M16	200	4

variation : welded nut, two rotary nuts

ordering example : column shoe of the wooden pillar BV / P 14-10/H - variation

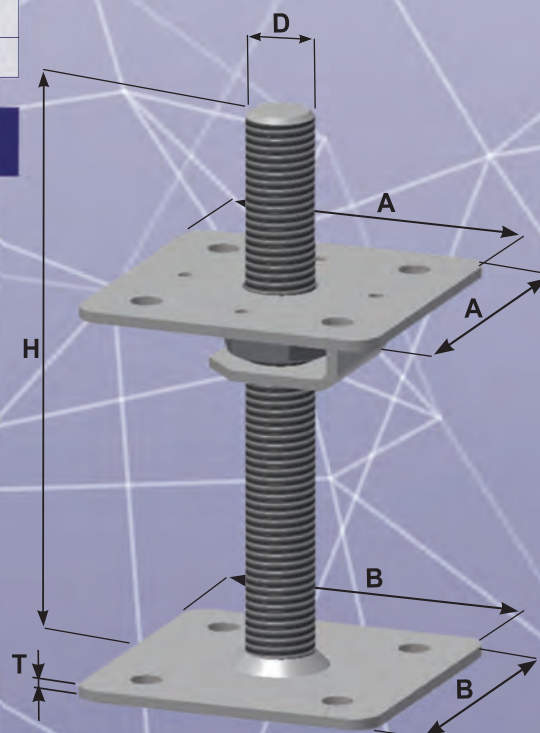


14 - 12 COLUMN SHOE WITH THE SAFETY FUSE BV/P

Dimension	A	B	D	H	T
	110	110	M24	200	4
	110	110	M24	250	4
	110	110	M24	330	4

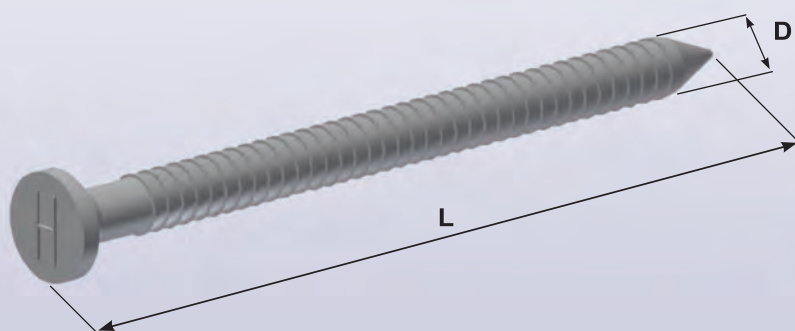
ordering example :

column shoe with the safety fuse BV/P 14-12/H



CONVEX NAIL BV/KH

15 - 01

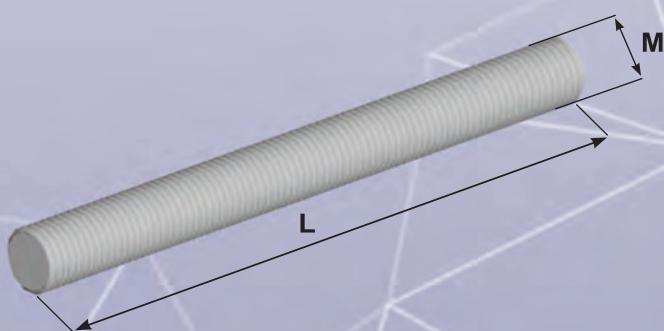


Dimension	D	L
4 x 40	4	40
4 x 50	4	50
4 x 60	4	60
4 x 70	4	70
4 x 80	4	80
4 x 90	4	90

minimum order quantity is 5 kg

THREADED ROD

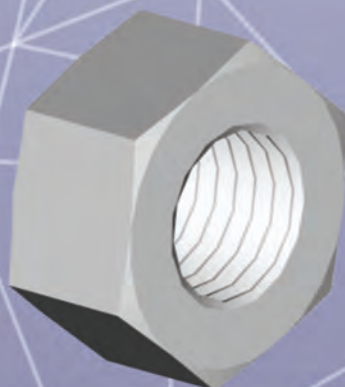
16 - xx



metric thread	L	catalogue number
M8	1000	16 - 04
M10	1000	16 - 05
M12	1000	16 - 06
M16	1000	16 - 07
M20	1000	16 - 08
M24	1000	16 - 09

NUT

17 - xx

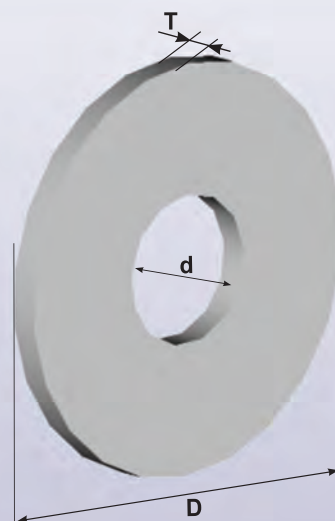


metric thread	catalogue number
M8	17 - 04
M10	17 - 05
M12	17 - 06
M16	17 - 07
M20	17 - 08
M24	17 - 09



18 - xx WASHER FOR WOODEN CONSTRUCTIONS

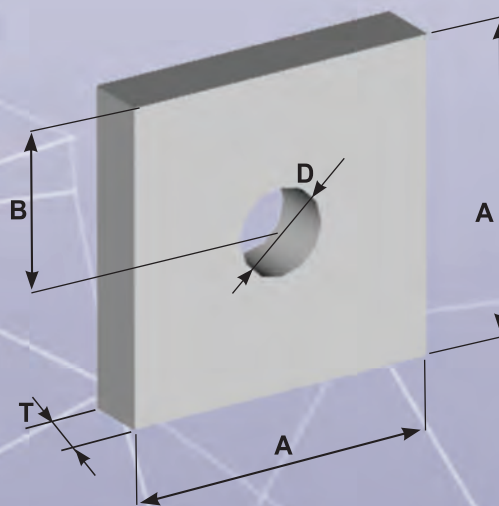
d	D	T	catalogue number
9	28	3	18 - 04
11	34	3	18 - 05
14	45	4	18 - 06
18	58	5	18 - 07
18	68	5	18 - 07/A
22	68	5	18 - 08
26	92	5	18 - 09



19 - 01 SQUARE WASHER

Dimension	A	B	T	D
	40	20	8	11
	40	20	8	13

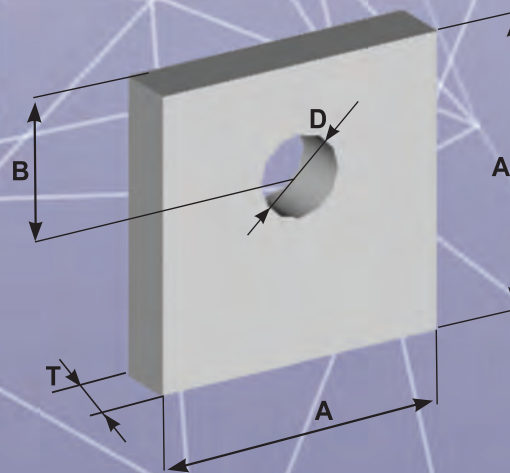
ordering example : square washer 19-01/D



19 - 02 SQUARE WASHER

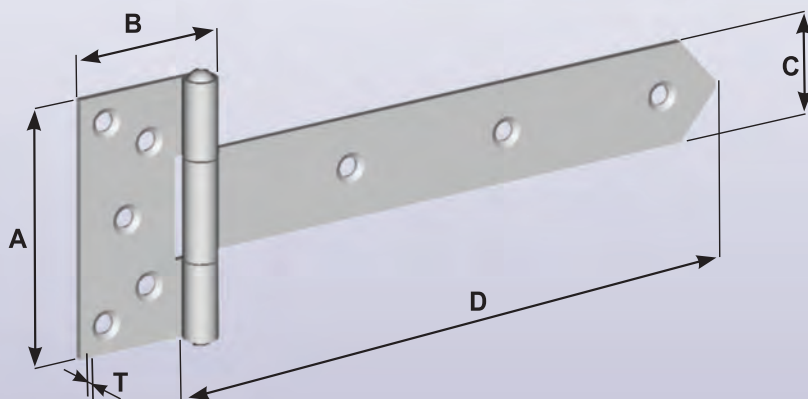
Dimension	A	B	T	D
	40	15	8	11
	40	15	8	13

ordering example : square washer 19-02/D



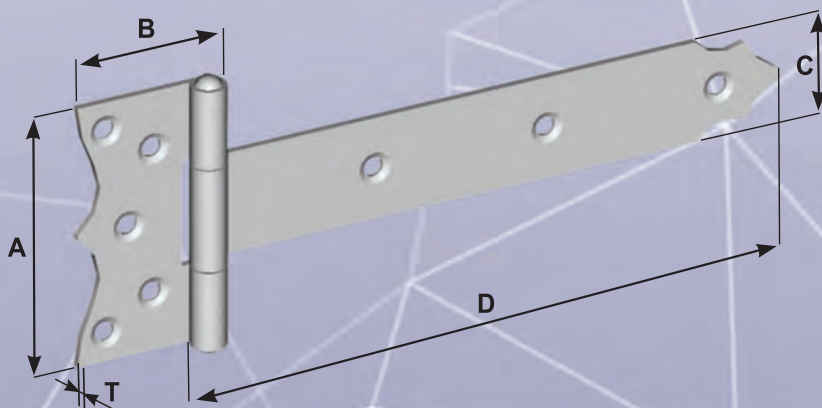
HINGE BV/Z - I 30 - 01

Dimension	A	B	C	D	T
	90	50	35	207	2,5



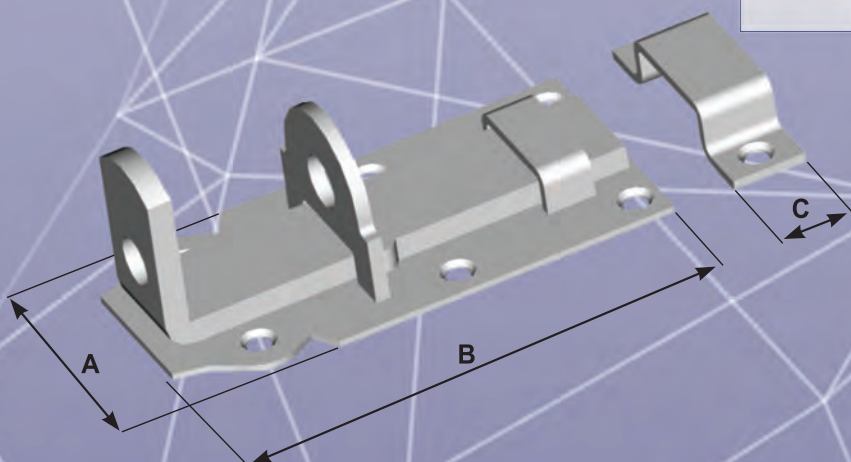
HINGE BV/Z - II 30 - 02

Dimension	A	B	C	D	T
	90	50	35	207	2,5



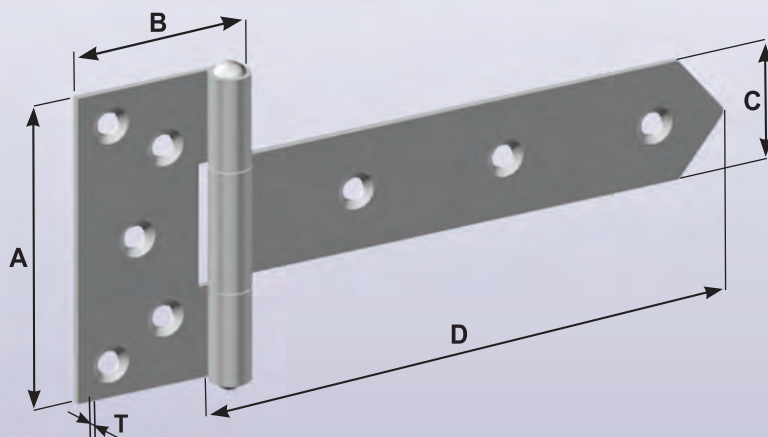
HINGE BV/Z 30 - 03

Dimension	A	B	C
	49	100	15



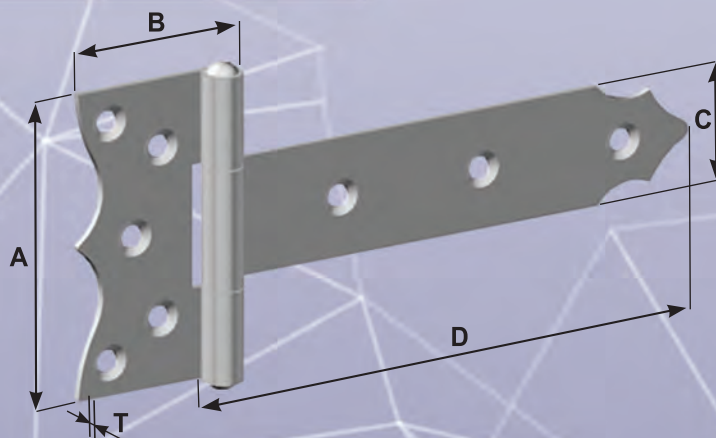
30 - 04 HINGE BV/Z - I

Dimension	A	B	C	D	T
	90	50	35	157	2,5



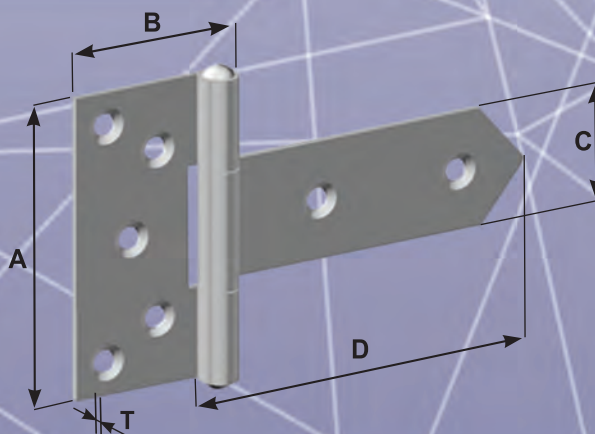
30 - 05 HINGE BV/Z - II

Dimension	A	B	C	D	T
	90	50	35	157	2,5

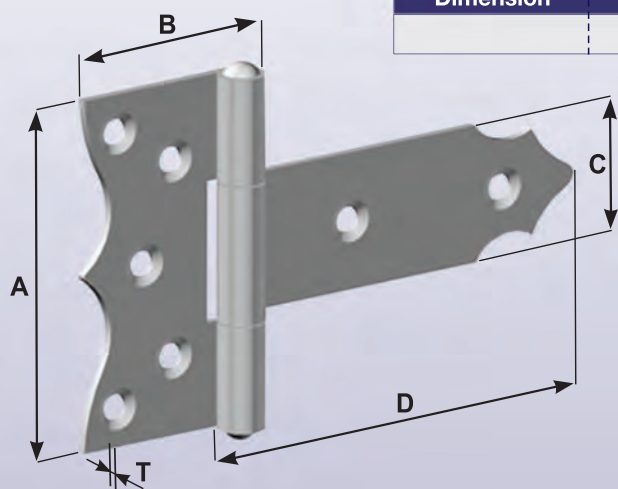


30 - 06 HINGE BV/Z - I

Dimension	A	B	C	D	T
	90	50	35	107	2,5

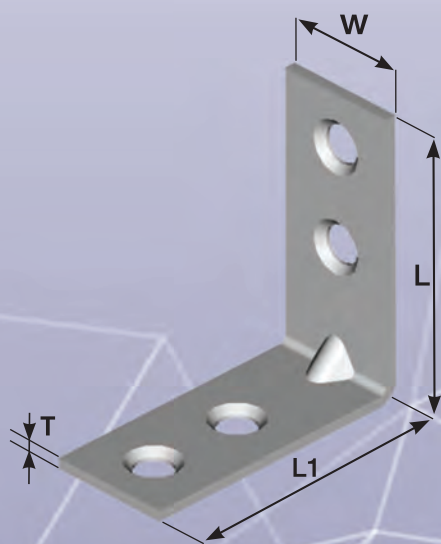


HINGE BV/Z - II 30 - 07



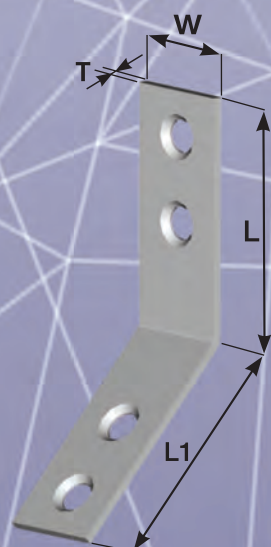
Dimension	A	B	C	D	T
	90	50	35	107	2,5

ANGLE BV/Ú 31 - 01



Dimension	W	L	L1	T
	16	37	37	1,5

ANGLE BV/Ú 31 - 03



Dimension	W	L	L1	T
	16	36	36	1,5

ZUS TECHNICKÝ A ZKUŠEBNÍ ÚSTAV STAVEBNÍ PRAHA, s.p.
Technical and Test Institute for Construction Prague
Akreditovaná zkušební laboratoř, Autorizovaná osoba, Notifikovaná osoba, Oznamovací subjekt, Subjekt pro technická posouzení, Certifikační orgán, Inspekční orgán / Accredited Testing Laboratory, Authorized Body, Notified Body, Technical Assessment Body, Certification Body, Inspection Body. Prosecká 811/79a, 190 00 Praha 9 - Prosek, Czech Republic.

Oznamovaný subjekt 1020

OSVĚDČENÍ O SHODĚ ŘÍZENÍ VÝROBY

certifikát
 č. 1020 – CPR – 010026388

V souladu s nařízením Evropského parlamentu a Rady (EU) č. 305/2011 ze dne 9. března 2011 (nařízení o stavebních výrobcích - CPR) se vydává toto osvědčení pro stavební výrobek:

Styčnickové desky s prolisovanými trny BV11; BV15; BV16; BV20
 ke spojování dřevěných prvků v příhradových vaznicích.
 Styčnickové desky mají vlastnosti požadované pro návrh konstrukce podle ČSN EN 1995-1-1 Eurokód 5, Navrhování dřevěných konstrukcí. Část 1-1: Obecná pravidla – Společná pravidla a pravidla pro pozemní stavby

a byly vyrobeny výrobcem:
BOVA Březnice, spol s r.o.
 Březnice, Za nádražím 472, IČ 42726191

ve výrobně
Březnice, Za nádražím 472

Toto osvědčení prokazuje, že byla uplatněna všechna ustanovení týkající se posuzování a ověřování stálosti vlastnosti popsaná v příloze ZA normy
EN 14545:2008

v rámci systému 2+ a že
systém řízení výroby splňuje všechny výše uvedené požadavky

Toto osvědčení bylo poprvé vydáno 5.5.2010 jako certifikát podle CPD) a platí, dokud se nezmění zkušební metody a/nebo požadavky na systém řízení výroby obsažené v harmonizované normě, použité při posuzování vlastností deklarovaných charakteristik a pokud se výrazně nezmění výrobek a/nebo výrobní podmínky v místě výroby.

Razítko oznamovaného subjektu 1020
 Praha, 11. listopadu 2013



Ing. Iveta Jiroutová
 zástupce vedoucího oznamovaného subjektu

ZUS TECHNICKÝ A ZKUŠEBNÍ ÚSTAV STAVEBNÍ PRAHA, s.p.
Technical and Test Institute for Construction Prague
Akreditovaná zkušební laboratoř, Autorizovaná osoba, Notifikovaná osoba, Oznamovací subjekt, Subjekt pro technická posouzení, Certifikační orgán, Inspekční orgán / Accredited Testing Laboratory, Authorized Body, Notified Body, Technical Assessment Body, Certification Body, Inspection Body. Prosecká 811/79a, 190 00 Praha 9 - Prosek, Czech Republic.

Oznamovaný subjekt 1020

OSVĚDČENÍ O SHODĚ ŘÍZENÍ VÝROBY

certificate of conformity of the factory production control
 č. 1020 – CPR – 010034303

V souladu s nařízením Evropského parlamentu a Rady (EU) č. 305/2011 ze dne 9. března 2011 (nařízení o stavebních výrobcích nebo CPR) se vydává toto osvědčení pro stavební výrobek:

Trojrozměrné tesařské spojky
 Úhelníky BVÚ – 05-21, BVÚ – 05-22 a BVÚ – 05-23, o základních rozměrech po řadě - 65 x 70 x 70 x 2, 65 x 90 x 90 x 2,5 a 90 x 105 x 105 x 3 mm, jsou za studena tvarované, nesvařované, pozinkované ocelové úhelníky, stůžkem vířivýmým žabernem, připojované k povrchu prvků hřebíky. Úhelníky slouží ke spojování dřevěných tesařských prvků

vyrobené výrobcem:
BOVA Březnice spol s r.o.
 262 72 Březnice, Za nádražím 472, IČ 42726191

ve výrobním závodě
BOVA Březnice spol s r.o.
 262 72 Březnice, Za nádražím 472

Toto osvědčení prokazuje, že všechna ustanovení týkající se posuzování a ověřování stálosti vlastnosti popsaná v ETA
ETA14/0327

podle systému 2+ pro vlastnosti stanovené v tomto osvědčení byla uplatněna a že
řízení výroby splňuje všechny předepsané požadavky pro tyto vlastnosti.

Toto osvědčení bylo poprvé vydáno 16. prosince 2014 a zůstává v platnosti, dokud se nezmění ETA a pokud se výrazně nezmění výrobní podmínky v místě výroby nebo řízení výroby nebo pokud oznamovaný subjekt pro osvědčení řízení výroby nepozastaví nebo nezruší platnost tohoto osvědčení.

Razítko oznamovaného subjektu
 Praha, 16. prosince 2014



Ing. Iveta Jiroutová
 zástupce vedoucího oznamovaného subjektu

ZUS TECHNICKÝ A ZKUŠEBNÍ ÚSTAV STAVEBNÍ PRAHA, s.p.
Technical and Test Institute for Construction Prague
Akreditovaná zkušební laboratoř, Autorizovaná osoba, Notifikovaná osoba, Oznamovací subjekt, Subjekt pro technická posouzení, Certifikační orgán, Inspekční orgán / Accredited Testing Laboratory, Authorized Body, Notified Body, Technical Assessment Body, Certification Body, Inspection Body. Prosecká 811/79a, 190 00 Praha 9 - Prosek, Czech Republic.

Oznamovaný subjekt 1020

OSVĚDČENÍ O SHODĚ ŘÍZENÍ VÝROBY

certificate of conformity of the factory production control
 č. 1020 – CPR – 010036940

V souladu s nařízením Evropského parlamentu a Rady (EU) č. 305/2011 ze dne 9. března 2011 (nařízení o stavebních výrobcích nebo CPR) se vydává toto osvědčení pro stavební výrobek:

Ozubené hmoždíky
 typ :C1: Ø90 mm-13/01; Ø75 mm-13/02; Ø95 mm-13/02
 hmoždíky jsou určeny pro spojování částí dřevěných konstrukcí. Hmoždíky jsou vyrobeny z ocelového plechu žárově zinkovaného DX51D+Z275

vyrobené výrobcem:
BOVA Březnice spol s r.o.
 262 72 Březnice, Za nádražím 472, IČ 42726191


ve výrobním závodě
BOVA Březnice spol s r.o.
 262 72 Březnice, Za nádražím 472

Toto osvědčení prokazuje, že všechna ustanovení týkající se posuzování a ověřování stálosti vlastnosti popsaná v příloze ZA normy
EN 14545:2008

podle systému 2+ byla uplatněna a že
řízení výroby je ve shodě s příslušnými požadavky .

Toto osvědčení zůstává v platnosti, dokud se harmonizovaná norma, stavební výrobek, postupy posuzování a ověřování stálosti vlastnosti ani výrobní podmínky v místě výroby výrazně nezmění nebo pokud oznamovaný subjekt pro osvědčení řízení výroby nepozastaví nebo nezruší platnost tohoto osvědčení.

Razítko oznamovaného subjektu 1020
 Praha , 3. listopadu 2016



Ing. Iveta Jiroutová
 zástupce vedoucího oznamovaného subjektu

ZUS TECHNICKÝ A ZKUŠEBNÍ ÚSTAV STAVEBNÍ PRAHA, s.p.
Technical and Test Institute for Construction Prague
Akreditovaná zkušební laboratoř, Autorizovaná osoba, Notifikovaná osoba, Oznamovací subjekt, Subjekt pro technická posouzení, Certifikační orgán, Inspekční orgán / Accredited Testing Laboratory, Authorized Body, Notified Body, Technical Assessment Body, Certification Body, Inspection Body. Prosecká 811/79a, 190 00 Praha 9 - Prosek, Czech Republic.

Oznamovaný subjekt 1020

OSVĚDČENÍ O SHODĚ ŘÍZENÍ VÝROBY

certificate of conformity of the factory production control
 č. 1020 – CPR – 010033626

V souladu s nařízením Evropského parlamentu a Rady (EU) č. 305/2011 ze dne 9. března 2011 (nařízení o stavebních výrobcích nebo CPR) se vydává toto osvědčení pro stavební výrobek:

Desky s otvory pro hřebíky
 Desky s otvory pro hřebíky. Desky spojovací:BVIDS 03-01, BVIDS 03-08
 Spojky: 65x140x2 03-31, 65x177x2,5 03-32, 90x200x3 03-33.
 Zavětrovací pásy: BV/ZP10-01; BV/ZP10-02; BV/ZP10-03; BV/ZP10-06; BV/ZP10-07;
 Desky, spojky a zavětrovací pásy jsou určeny pro spojování částí dřevěných konstrukcí.
 Desky, spojky a zavětrovací pásy jsou vyrobeny z ocelového plechu žárově zinkovaného S280GD+Z275

vyrobené výrobcem:
BOVA Březnice spol s r.o.
 262 72 Březnice, Za nádražím 472, IČ 42726191


ve výrobním závodě
BOVA Březnice spol s r.o.
 262 72 Březnice, Za nádražím 472

Toto osvědčení prokazuje, že všechna ustanovení týkající se posuzování a ověřování stálosti vlastnosti popsaná v příloze ZA normy
EN 14545:2008

podle systému 2+ pro vlastnosti stanovené v tomto osvědčení byla uplatněna a že
řízení výroby splňuje všechny předepsané požadavky pro tyto vlastnosti.

Toto osvědčení bylo poprvé vydáno 15.7.2014 a zůstává v platnosti, dokud se nezmění zkušební metody a/nebo požadavky na řízení výroby, obsažené v harmonizované normě použité při posuzování vlastností deklarovaných základních charakteristik, a pokud se výrazně nezmění stavební výrobek a/nebo výrobní podmínky v místě výroby nebo pokud oznamovaný subjekt pro osvědčení řízení výroby nepozastaví nebo nezruší platnost tohoto osvědčení.

Razítko oznamovaného subjektu 1020
 Praha , 14. srpna 2015



Ing. Iveta Jiroutová
 zástupce vedoucího oznamovaného subjektu



Where you can find us



Váš prodejce

BOVA Březnice spol. s r.o.
Za nádražím 472
262 72 Březnice
Czech Republic
email: bova@bova-nail.cz
tel.: 318 682 261, 318 683 729

www.bova-nail.cz